

Fastrak Bac-Vac Catcher Operator's Manual

EXCEL
INDUSTRIES

200 South Ridge Road • Hesston, Kansas • 67062

TABLE OF CONTENTS

General Information	1-1
To the New Owner	1-1
Using This Manual	1-1
Warranty Registration.	1-1
Parts and Service.	1-1
Safety Precautions.	2-1
Safe Operation and Service Precautions	2-1
Safety and Instruction Decals.	2-2
Assembly Instruction	3-1
Required Tools	3-1
Parts List	3-1
Assembly	3-2
Operation.	4-1
Vacuum Pickup and Collection.	4-1
Unloading the Catcher	4-2
Converting To Side Discharge Mode	4-3
Maintenance & Storage	5-1
Maintenance.	5-1
Storage.	5-2

GENERAL INFORMATION

To the New Owner

The purpose of this manual is to assist owners and operators in maintaining and operating the Excel Industries Bac-Vac Catcher. Please read it carefully; information and instructions furnished can help you achieve years of dependable performance.

Using This Manual

This manual contains general operation information as well as basic adjustment and maintenance information. Since operating conditions vary considerably, all conditions cannot be addressed individually. Through training and experience, operators should develop safe operating practices suitable to most conditions.

Directions used in this manual, for example RIGHT or LEFT, refer to directions when in the operator position and facing forward, unless otherwise stated.

Though current at the time of printing, photographs and illustrations shown may vary slightly from your mower due to subsequent production changes. Excel Industries, Inc. reserves the right to redesign and change the machine as deemed necessary, without notification. If a change has been made to your machine which is not reflected in this manual, contact your Excel Dealer for current information.

Warranty Registration

Your Dealer must register this attachment on-line within **ten (10) days** following date of purchase to validate your

warranty protection. As the new equipment owner, you should confirm that your Dealer has registered your attachment with Excel Industries, Inc., manufacturer of Hustler® mowers (“Manufacturer”).

The mower and any attachment that displays a model and serial identification number plate **must** be registered with Manufacturer. Failure to register the attachment can void the warranty.

IMPORTANT: Any unauthorized modification, alteration, or use of non-approved attachments voids the warranty and releases Manufacturer and Hustler® Turf Equipment, Inc. from any liability arising from subsequent use of this equipment. Do not use or operate any attachment not approved by Manufacturer.

Parts and Service

Use original Excel replacement parts, or parts that are equivalent in overall performance, that are available from your local authorized Dealer. For prompt, efficient service, always provide the following information when ordering parts:

1. Correct part description.
2. Correct part number.
3. Correct model number.
4. Correct serial number.

All arrangements for warranty repair and service must be handled through an authorized Dealer.

SAFETY PRECAUTIONS



This safety alert symbol is used to call attention to a message intended to provide a reasonable degree of **PERSONAL SAFETY** for operators and other persons during the normal operation and servicing of this equipment.

▲ DANGER ▲	<p>– denotes immediate hazards which WILL result in severe personal injury or death.</p>
---------------------------------------	---

▲ WARNING ▲	<p>– denotes a hazard or unsafe practice which COULD result in severe personal injury or death.</p>
--	--

This manual uses two other words to highlight information. **IMPORTANT** calls attention to special mechanical information and **NOTE** emphasizes general information worthy of special attention.

All operators and mechanics should read this manual, and be instructed about safe operating and maintenance procedures.

Improper use or maintenance by the operator or owner can result in injury. To reduce the potential for injury, comply with these safety instructions and always pay attention to the safety alert symbol “▲”, which means DANGER or WARNING - “personal safety instructions.” Failure to comply with the instructions may result in personal injury or death.

Incorrect usage of this attachment may result in severe injury. Personnel operating and maintaining it should be trained in the proper use and should read the manuals completely and thoroughly before attempting to set-up, operate, adjust, or service this mower.

Safe Operation and Service Precautions

- ▲ Evaluate the terrain to determine what accessories and attachments are needed to properly and safely perform the job. Only use accessories and attachments approved by the manufacturer.
- ▲ Never use the catcher with Flex Forks® installed on the mower.
- ▲ Before proceeding:
 - Park the mower on level ground.
 - Disengage the deck clutch.
 - Place the steering control levers in the park brake position.
 - Stop the engine.
 - Remove the ignition key.
 - Wait for the engine and all moving parts to come to a complete stop.
- ▲ Disconnect the negative battery cable.
- ▲ Always be aware of any obstructions, especially small children, when backing or unloading the bags.
- ▲ Always keep safety shields and covers in place, except for servicing.
- ▲ Never work on the blower assembly or the mower deck when the mower’s engine is running.
- ▲ Never operate machine with catcher lid in the open position except for unloading.
- ▲ Never attempt high speed maneuvering in crowded or congested areas.
- ▲ Always be aware that the catcher hangs off the rear of the mower, thereby increasing the length of the mower. Use caution when backing up or turning when the catcher is mounted to the mower.
- ▲ When the catcher is used, any rapid movement of the control levers in either direction could result in a reaction of the mower that can cause serious injury.
- ▲ Always operate with complete catcher system, mulching system or side discharge chute in place and in the lowest position.
- ▲ Always keep clear of the mower blades and attachments during their operation.
- ▲ Turn off the blades when not mowing.
- ▲ Stop the engine before removing the grass catcher or unclogging the discharge chute. Never clear the discharge chute with the engine running. Turn off the engine and be sure the blades have stopped before cleaning. Use a stick to clear a plugged discharge area. **Never use your hand!**

- ▲ **Clean flammable material from the machine. Prevent fires by keeping the engine compartment, exhaust area, battery, fuel line, fuel tank and operator's station clean of accumulated trash, grass clippings, and other debris. Always clean up spilled fuel and oil.**
- ▲ Grass collection system components are subject to wear, damage and deterioration, which could expose moving parts or allow objects to be thrown. Frequently check components and replace with manufacturer's recommended parts when necessary.
- ▲ Never direct discharged material toward anyone. Avoid discharging material against a wall or obstruction. Material may ricochet back toward the operator. Always disengage the blades and wait for them to stop before crossing gravel drives, walks or roads.

Refer to the mower's operator's manual for illustrations showing the various safety decals that are located on the mower. A brief explanation, for those requiring one, is shown to help the operator understand the meanings of these decals.



- **Read Operator's Manual and Safety Warning Decals before attempting to operate this machine.**

Safety and Instruction Decals

The decals are designed to give the operator brief information needed in the daily operation and service of the mower. These decals are not intended to be used in place of this manual but instead are to be used as an extension of this manual. These decals should not be removed or obliterated. Replace these decals if they become unreadable.

- It is the **owner's responsibility** to make certain that the operators and mechanics read and understand this manual and all decals before operating this mower.
- It is also the **owner's responsibility** to make certain that the operators and mechanics are qualified and physically able individuals, properly trained in the operation of this equipment.
- All operators and mechanics must become familiar with the safe operation of the equipment, operator controls and decals.
- Never let children or untrained people operate or service the equipment. Local regulations may restrict the age of the operator.
- The owner/user can prevent and is responsible for accidents or injuries occurring to themselves, other people or property.
- The owner should also ensure that the operators/mechanics know that they are responsible for their own safety as well as the safety of other persons within the vicinity. **Remember**, the operator is responsible for accidents or hazards occurring to other people or their property.

! WARNING!

Under normal usage bag material is subject to wear. To reduce the risk of injury, inspect catcher assembly frequently and replace if there are any signs of wear or deterioration. Be sure replacement meets original equipment specifications.

- **Under normal usage this bag material is subject to deterioration and wear, and should therefore be frequently checked for bag replacement.**

Part Number 604221	
	<p>WARNING: Thrown objects!</p> <ul style="list-style-type: none"> • Never operate the mower deck with side deflector damaged, altered, removed or in raised position, except when the entire grass catcher attachment or mulching system is being used. <p>DANGER: Rotating blades, pulleys & belts</p> <ul style="list-style-type: none"> • Keep shields and covers in place while machine is in operation. • Keep hands, feet and clothing away from rotating pulleys and belts.

! WARNING !

Specific safety warning decals are located on the equipment near the immediate areas of potential hazards. These decals should not be removed or obliterated. Replace them if they become non-readable.

Part Number 602758



- Read the Operator's Manual before attempting to operate this machine.
- Wear ear protection, eye protection and safety shoes when operating this equipment.

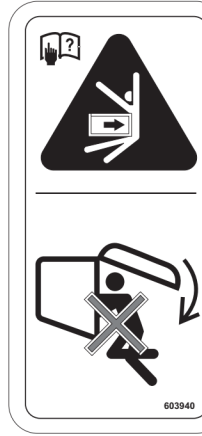
Part Number 602757



DANGER: Rotating impeller

- Keep hands, feet and clothing away.
- Keep shields or covers in place while the machine is in operation.
- Stop the engine, remove the ignition key.
- Engage the park brake.
- Use a probe to clear debris from the blower assembly. Remove blower chute to clear debris from chute.
- Never engage the mower deck unless the entire grass catcher attachment is properly installed.

Part Number 603940



WARNING: Crushing body

- Stay clear of raised hopper door.
- Never get between hopper door and hopper container.
- Do not reach or climb into hopper.
- Never reach into the hopper door opening or hopper door linkage area.

Part Number 603967



WARNING: Crushing hand or foot

- Never reach into the crushing or danger zone.
- Keep hands and feet away.
- Always stop machine if someone enters the area.

ASSEMBLY INSTRUCTION

These instructions apply to the assembly of the Excel Catcher on the following mowers:

Hustler® FasTrak® & FasTrak SDX

It is intended that these units be installed by trained Excel service personnel. If additional assistance is required, contact the Excel Customer Service Department.

Directions given in these instructions, for example LEFT and RIGHT, refer to direction while seated on the mower.

Before proceeding, read through the following instructions to familiarize yourself, while at the same time identify and inventory kit parts supplied.

Unpack and inspect all parts. Notify carrier of any shipping damages immediately.

Required Tools

The following is a list of the tools required to assemble the catcher to the mower.

- 1/2" WRENCH OR SOCKET
- 9/16" WRENCH OR SOCKET X 2
- 7/16" WRENCH OR SOCKET X 2
- 3/4" SOCKET
- TORQUE WRENCH WITH 75 FT-LB RANGE
- #27 TORX DRIVER
- 9/32" DRILL BIT

Parts List

Refer to the *Parts Catalog* for more detailed parts information.

PART NO.	DESCRIPTION	QTY.
000174	CE .375 X 1.25 .156 X 1.09	2
004168	FW .500 X 1.06 X .090 SAE	2
016253	CB .312-18 X .75 FUL ZN	8
017301	HP .125 X 2.375 ZN	1
023317	NT .500-13 UNT LK G8	3
025395	CB .375-16 X 1.00 G5 ZN	3
054502	NT .375-16 HX G5	2
055822	CS .375-16 X .75 HX G5 ZN	2
058776	NT .312-18 NL G5	4
068056	CE .500 X 1.50 .150 X 1.32	1
068551	NT .250-20 HX ZY NL	1
083147	CB .312-18 X .620 G5 ZN	3
086660	NT .375-16 G8 NL	4
555756	BLOWER	1
556319	WEIGHT MOUNT	1
556320	CATCHER FRAME	1
556321	HANDLE	1
601069	CN .312-18 X .20 MAX THK	1

603868	STEEL ROD END	1
604251	NT .312-18 HX NL JAM G2 ZN	7
604387	UPPER CHUTE	1
604475	BUNGEE LATCH	1
604887	CE .375 X 3.00 WITH BALE	1
607970	DECK LIFT PIVOT	1
608188	BLOWER OUTLET CHUTE	1
608213	PULLEY, V DRIVE 4.50" EF	1
608214	PULLEY, V DRIVE 3.50" EF	1
607963	BELT, HA SECTION 60" DECK	1
608217	BELT, HA SECTION 48" DECK	1
608218	BELT, HA SECTION 54" DECK	1
608229	KNOB .375-16 FEMALE	2
608256	CE .375 X .75 USABLE	1
608563	CE .375 X 1.07 W/ BALE	1
608564	PULLEY COVER	1
608567	CB .375-16 X 4.500 G5	2
608568	CB .500-13 X 3.500 G5	3
608687	YOKE	1
608688	CS 0.375-24 X 3.50 HX G5	1
608729	SHIM CARD	2
704718	FW .406 X .688 X .060 ZN	2
704916	CS .250-20 X 1.375 HX G5	1
706176	NT .375-24 HX JAM G5 ZN	4
706549	HP .08 X 1.19	3
712927	FW .344 X 1.00 X .12 HD ZN	4
767954	FW .379 X .813 X .06 HD ZN	10
767962	FW .531 X 1.063 X .137	3
768515	FW .281 SAE	2
768523	FW .343 SAE	7
792002	KNOB 5/16-18 X 3/4"	2
799130	CS .312-18 X .50 HX FL	1
126876-1	BLOWER COVER MOUNT BRACKET	1
126910-1	DOUBLE PULLEY COVER	1
126986-1	DROP PLATE, 60" DECK	1
126987-1	DROP PLATE, 54" DECK	1
126988-1	DROP PLATE, 48" DECK	1
128065-1	LEFT MOUNT	1
128068-1	RIGHT MOUNT	1
128071-1	ENGINE GUARD	1
128085-1	DRAW LATCH HANDLE	1
128086-1	DRIVE LINK	1
128211-1	RIGHT TENSION BRACE	1
128212-1	LEFT TENSION BRACE	1

Assembly

NOTE: Remove the mower's discharge chute and right pulley cover. Keep the discharge chute and pulley cover. Install the discharge chute if the blower unit is removed. Keep the chute pin for installing the blower.

1. Before proceeding:
 - Park the mower on level ground.
 - Disengage the deck clutch.
 - Place the steering control levers in the park brake position.
 - Stop the engine.
 - Remove the ignition key.
 - Wait for the engine and all moving parts to come to a complete stop.
 - Chock the drive wheels.
 - Disconnect the negative battery cable.

WARNING

Allow engine and muffler to cool before assembling the catcher to the mower.

2. Remove footrest. Keep the existing hardware.
3. Slide on weight mount as shown. Remove the weight plates if necessary. Figure 3-1
4. Install the weight mount onto frame through the existing holes in footplate as shown. Figure 3-1

5. Install the footrest with the existing hardware. Figure 3-1

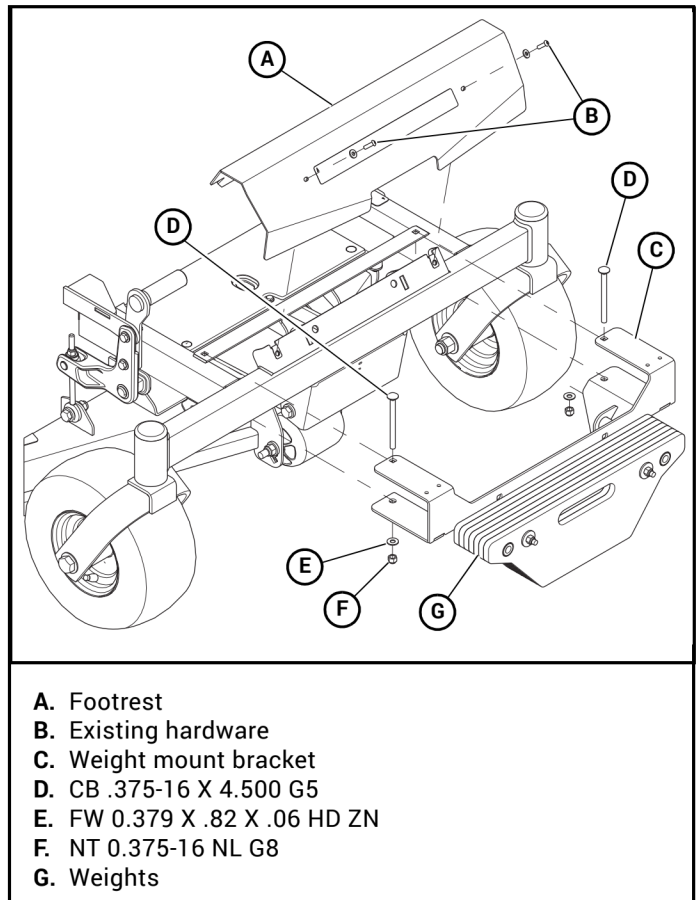


Figure 3-1

6. Remove shown ROPS bolts and replace the bolts with new the hardware provided. Put the washers and nuts on later. NOTE: Do not reuse ROPS hardware. Figure 3-4

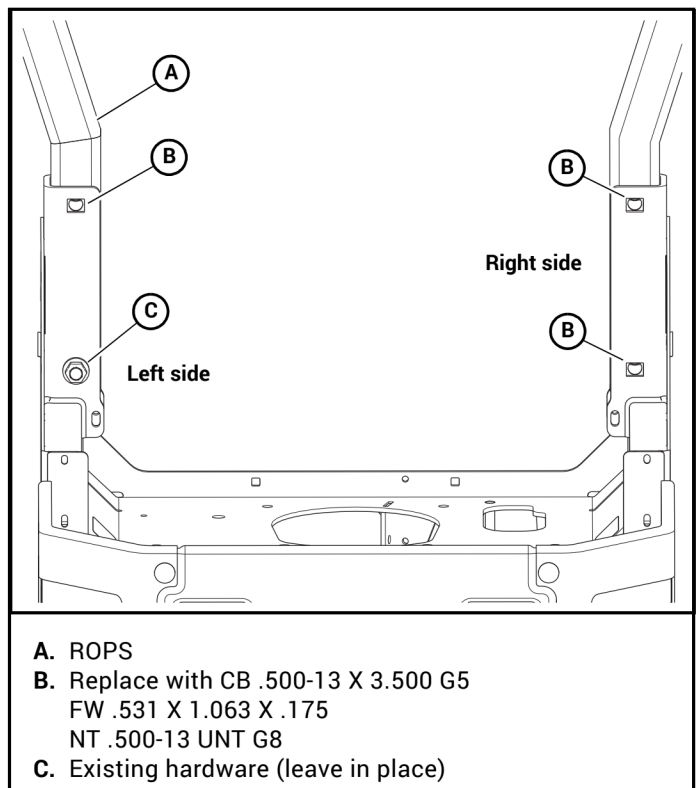


Figure 3-2

7. Remove the engine guard. Do not remove the muffler guard. Keep the engine guard hardware with the engine guard. Keep the frame mounting hardware for installing the mount plates. Figure 3-3
8. Install the left and right mount plates, use the existing hardware. NOTE: Do not tighten at this time. Figure 3-4
9. Attach the engine guard plate to the mount plates and the muffler guard with existing hardware and provided hardware. Figure 3-4
10. Install the left and right tension braces. Make sure to install the correct brace for each side. Do not tighten the hardware.

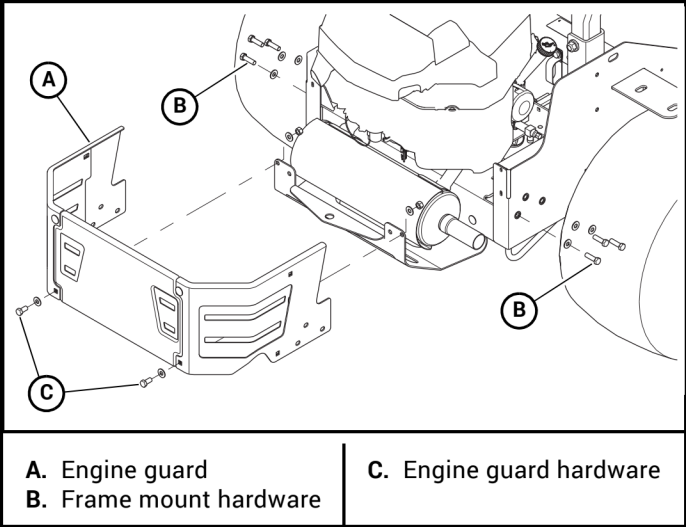
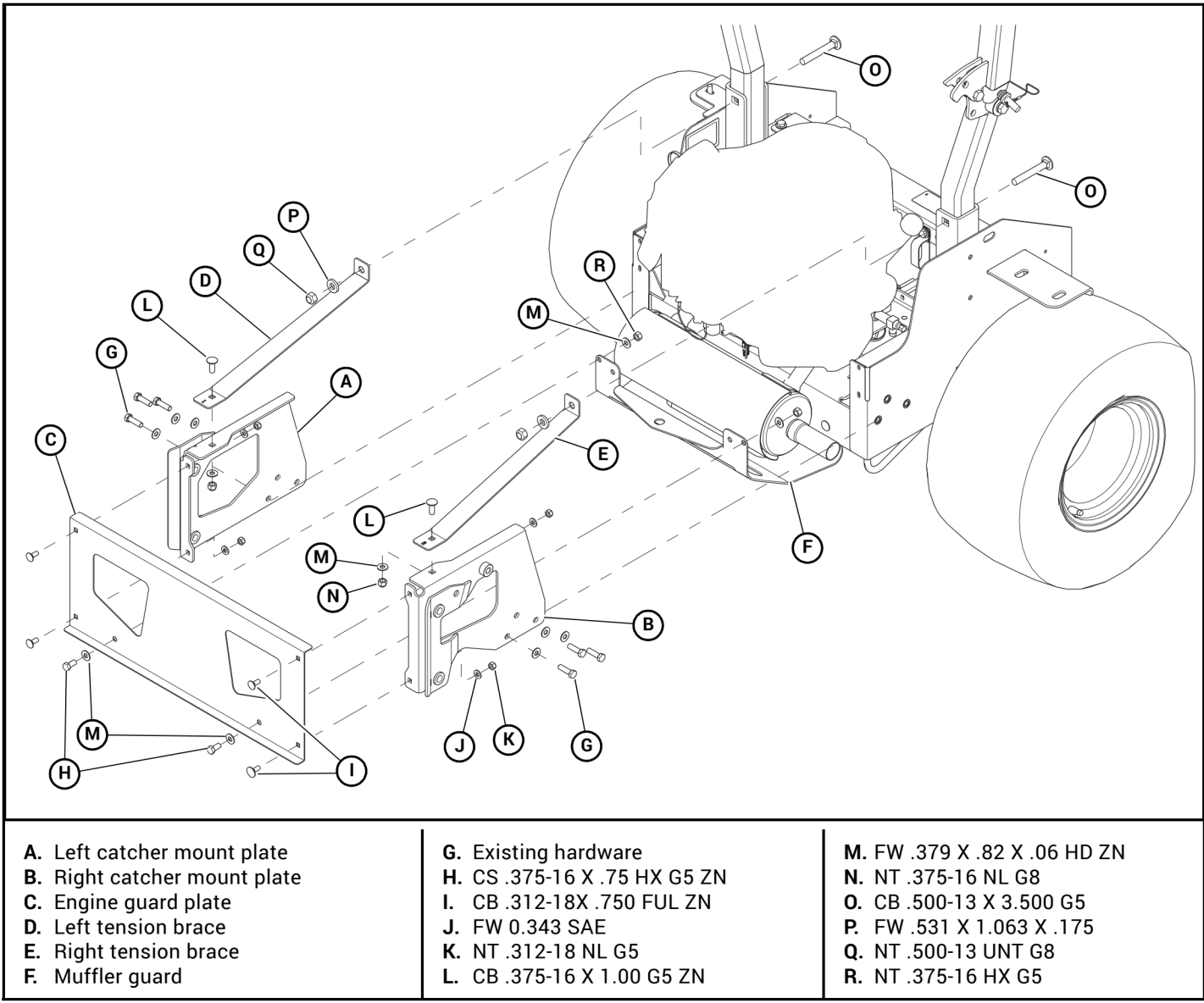


Figure 3-3



- A. Left catcher mount plate
- B. Right catcher mount plate
- C. Engine guard plate
- D. Left tension brace
- E. Right tension brace
- F. Muffler guard

- G. Existing hardware
- H. CS .375-16 X .75 HX G5 ZN
- I. CB .312-18X .750 FUL ZN
- J. FW 0.343 SAE
- K. NT .312-18 NL G5
- L. CB .375-16 X 1.00 G5 ZN

- M. FW .379 X .82 X .06 HD ZN
- N. NT .375-16 NL G8
- O. CB .500-13 X 3.500 G5
- P. FW .531 X 1.063 X .175
- Q. NT .500-13 UNT G8
- R. NT .375-16 HX G5

Figure 3-4

11. Place the handle assembly on the ROPS pocket as shown. Lightly tighten the hardware on the ROPS. Figure 3-5
12. Tighten the catcher frame mounting hardware.
13. Inspect the handle position. The handle should be between the steering arm and seat position handle and should not touch on either side. If adjustment is necessary, loosen the ROPS mounting bolts, place the shim provided on the side needing adjusted for proper clearance of the handle. Tighten the ROPS hardware holding the handle in place. Torque to 73 ft-lbs. Figure 3-5, Figure 3-6 & Figure 3-7

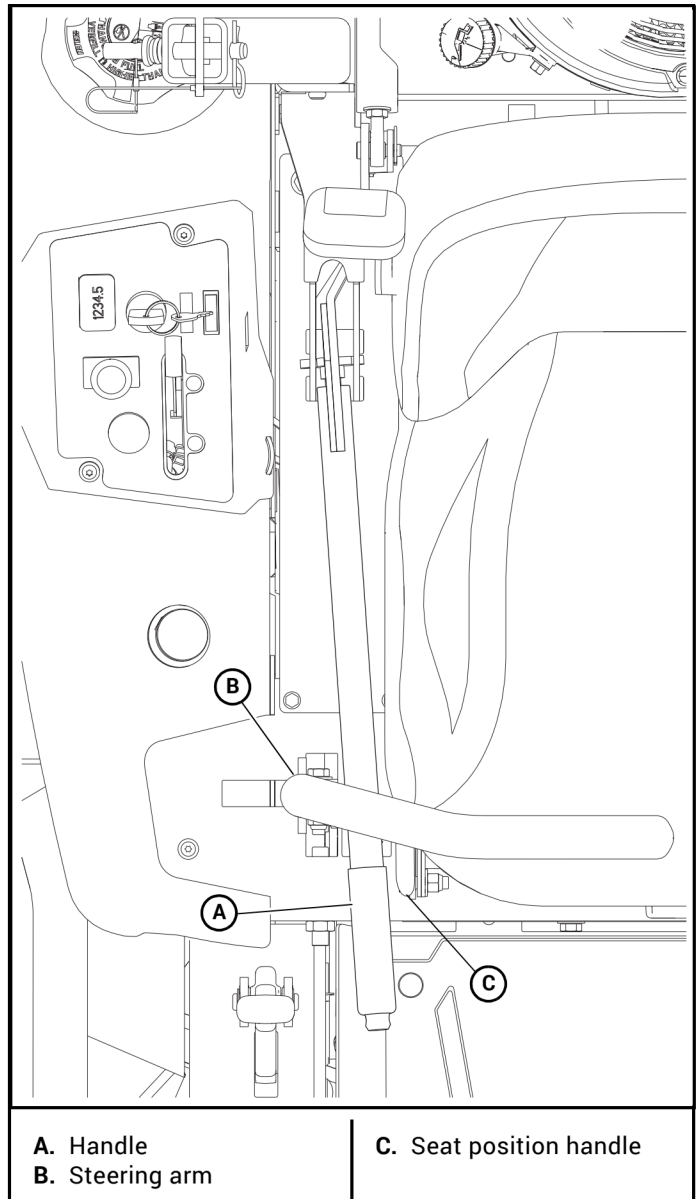


Figure 3-7

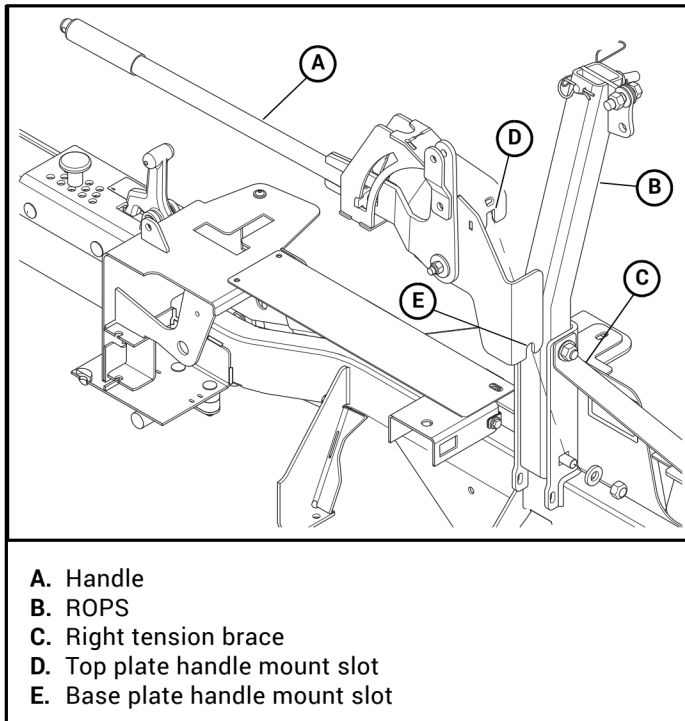


Figure 3-5

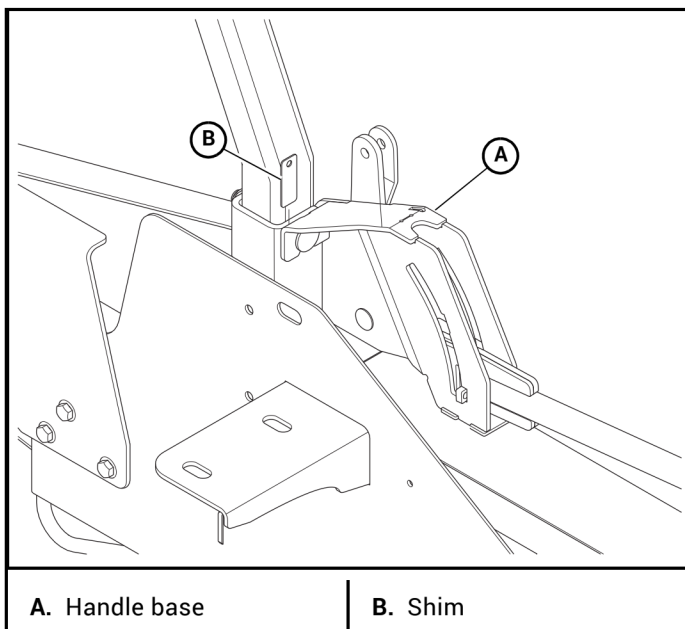
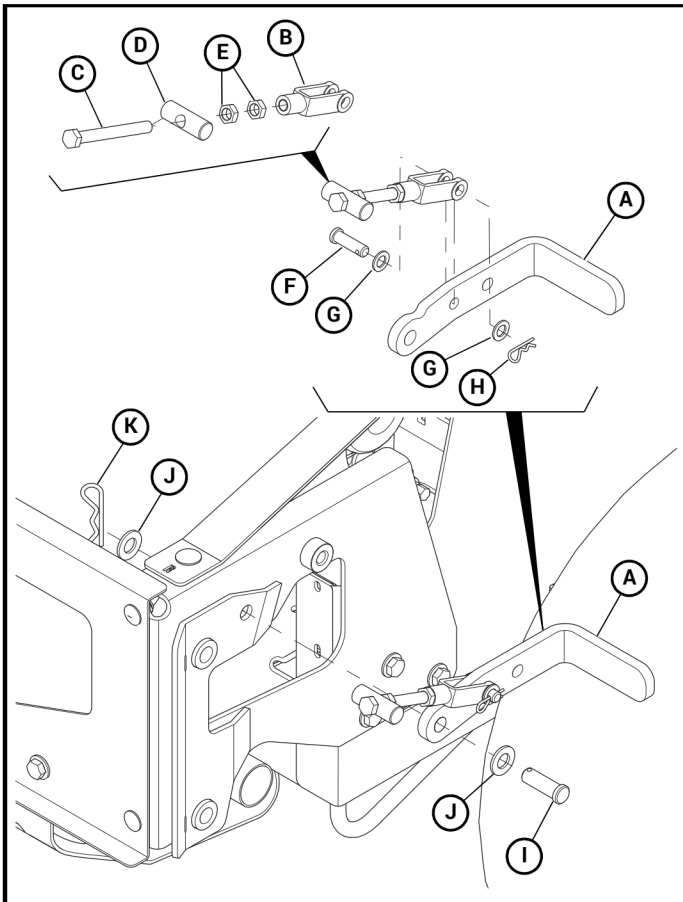


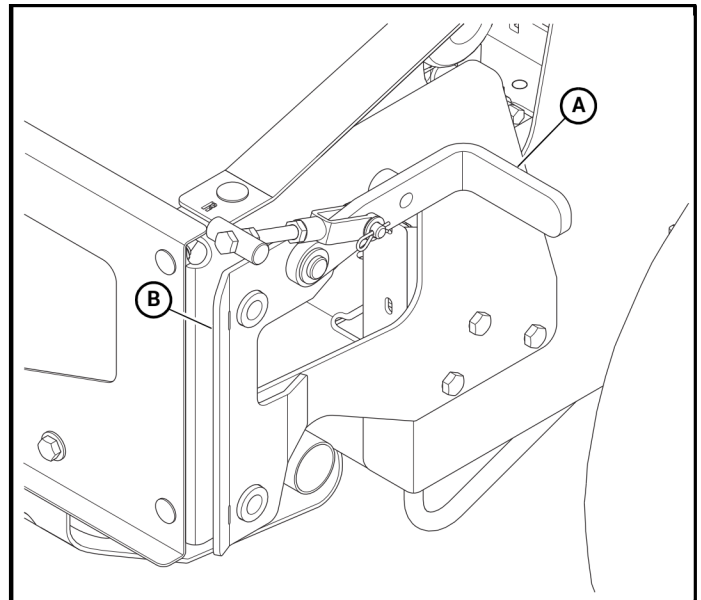
Figure 3-6

14. Assemble and install the draw latch to the mount plate as shown. Figure 3-8 & Figure 3-9



- A. Draw latch
- B. Yoke
- C. CS .375-24 X 3.50 HX G5
- D. Deck lift pivot
- E. NT .375-24 JAM G5
- F. CE .375 X 1.25 .156 X 1.09
- G. FW .406 X .688 X .060 ZN
- H. HP .080 X 1.190
- I. CE .500 X 1.50 .150 X 1.32
- J. FW .531 X 1.00 X .090 ZN
- K. HP .125 X 2.375 ZN

Figure 3-8

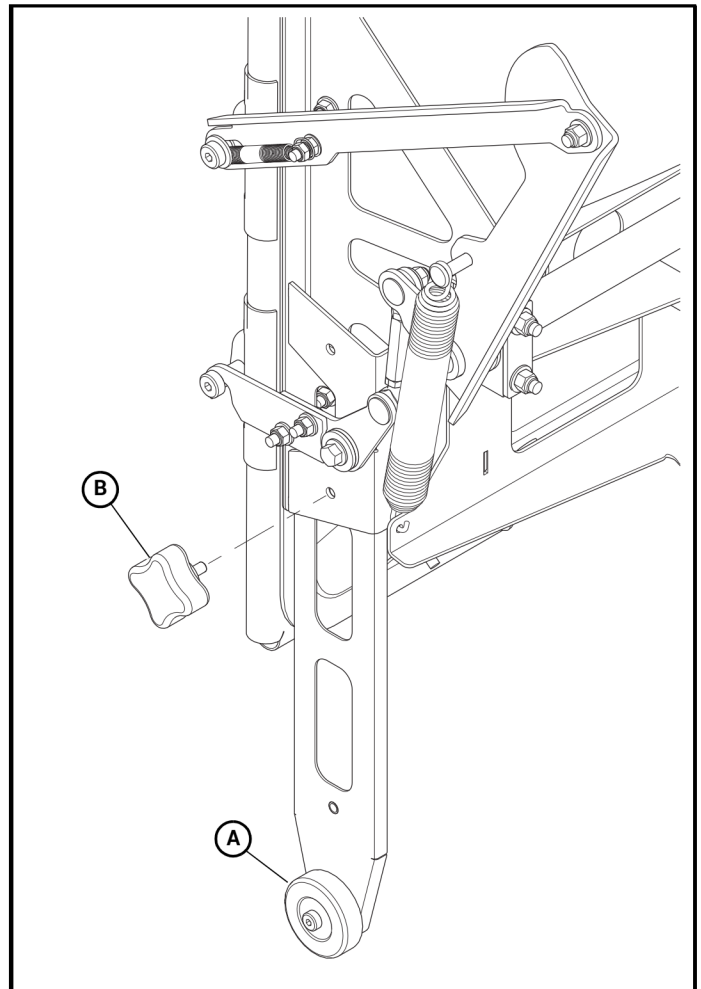


A. Draw latch

B. Mount plate

Figure 3-9

15. Place the catcher wheels into the transport position on the catcher shell as shown. Figure 3-10

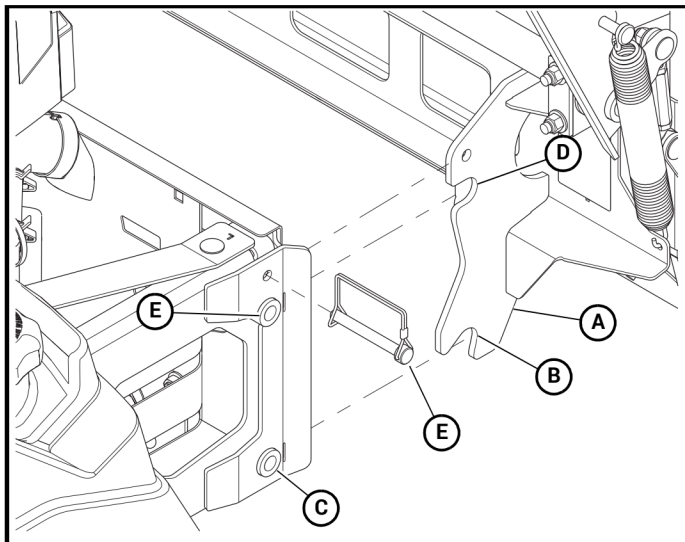


A. Catcher wheel

B. Knob

Figure 3-10

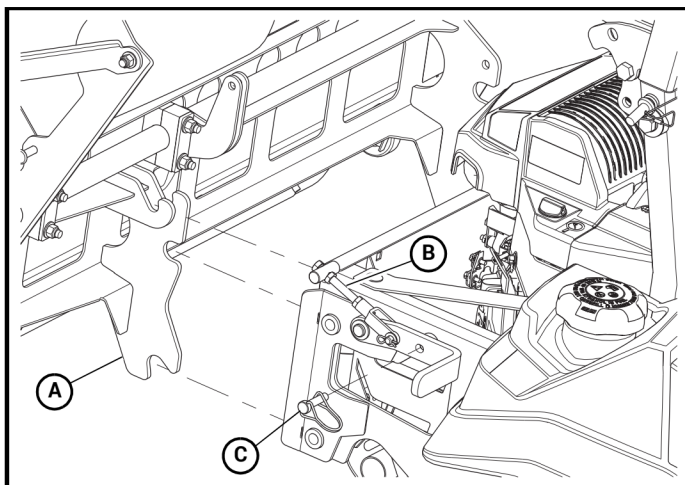
16. Roll the catcher into position on the catcher wheels. Place the bottom notch of the catcher frame mount plate on the bottom tube of the mount plate first. Rotate the catcher up until the top slot is seated against the top tube of the catcher mount plate. Secure the left side with the clip pin. Figure 3-11



- A. Catcher frame mount plate
- B. Bottom slot of catcher frame mount plate
- C. Bottom tube of mount plate
- D. Top slot of catcher frame mount plate
- E. Top tube of mount plate
- F. CE .375 X 3.00 w/bale

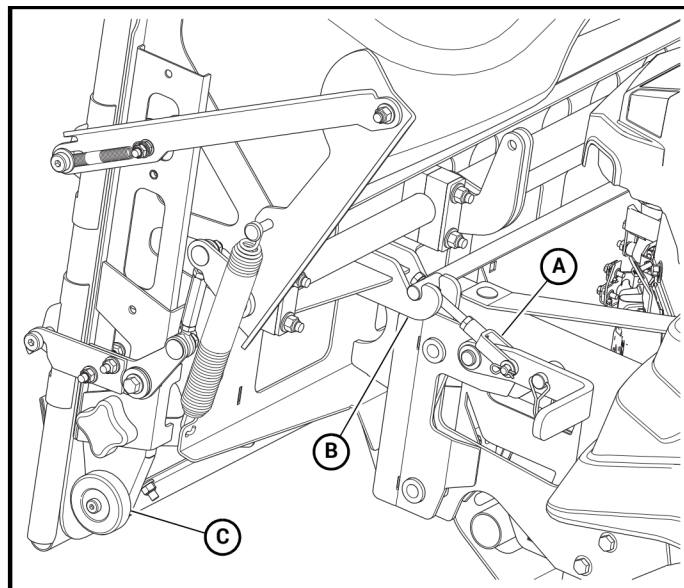
Figure 3-11

17. Secure the right side of the catcher to the right side with the draw latch and secure the latch with the clip pin as shown. **IMPORTANT:** Adjust the draw latch hardware to remove any looseness between the catcher and the mower. Tighten the jam nuts in place. The catcher should be tight against the mower. **NOTE:** A loose catcher will result in premature wear and the handle will not operate correctly. Figure 3-12 & Figure 3-13



- A. Catcher frame mount plate
- B. Draw latch
- C. CE .375 X 1.07 w/bale

Figure 3-12



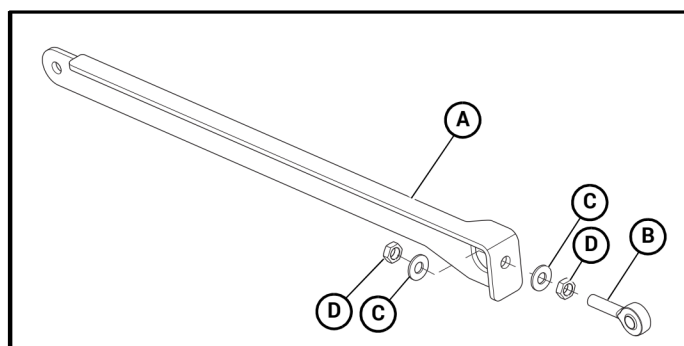
- A. Draw latch
- B. Draw hook
- C. Catcher wheel

Figure 3-13

WARNING

Never operate the mower with the catcher wheel in the lowered position. It will result in severe damage to the catcher shell. Keep the catcher wheel in the raised position during operation of the mower. Figure 4-1

18. Return the catcher wheel to the raised position. Secure the catcher wheel in place. **NOTE:** Do not operate the mower with the catcher wheel in the lowered position. Figure 3-13
19. Assemble the rod end to the drive link. Figure 3-14,



- A. Drive link
- B. Rod end
- C. FW 0.379 X .82 X .06 HD ZN
- D. NT .375-24 JAM G

Figure 3-14

20. Attach the rod end of the drive link to the handle assembly and the drive link to the catcher crank as shown. Figure 3-15 & Figure 3-16

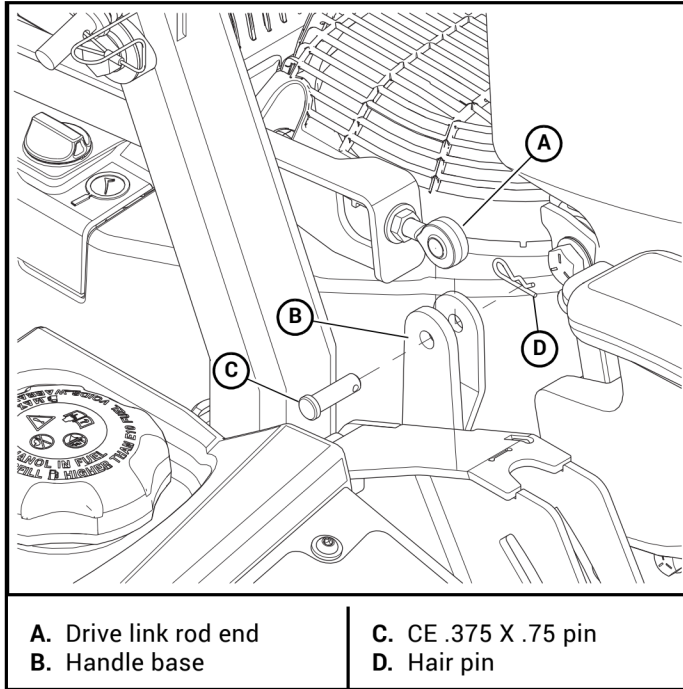


Figure 3-15

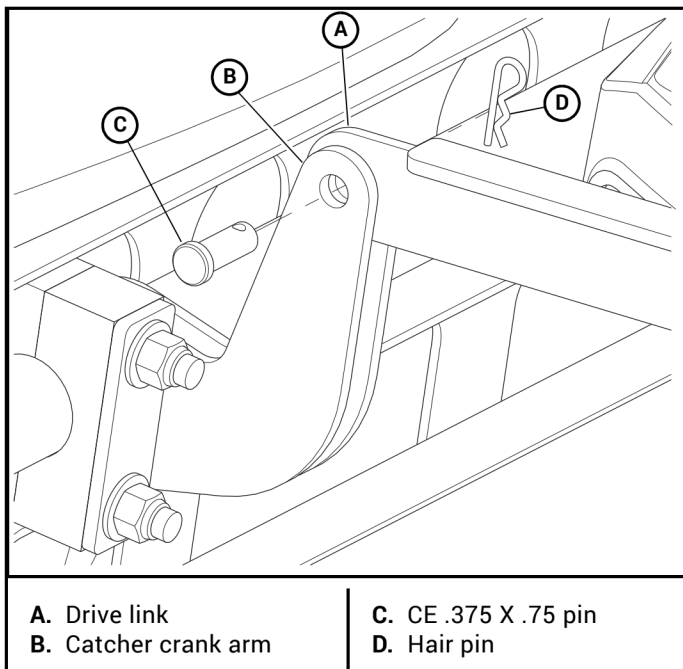


Figure 3-16

21. Place the catcher handle in the latched down position. Figure 3-16

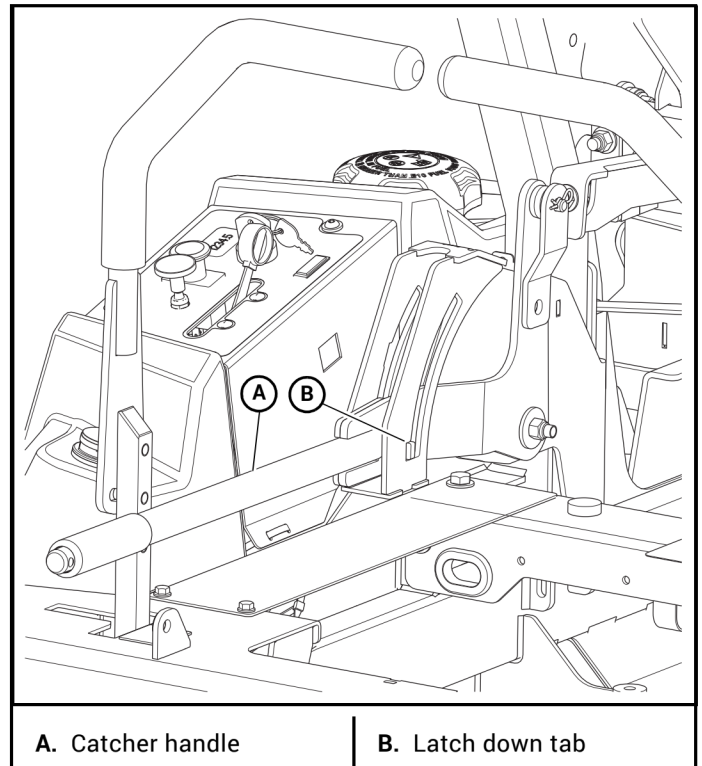
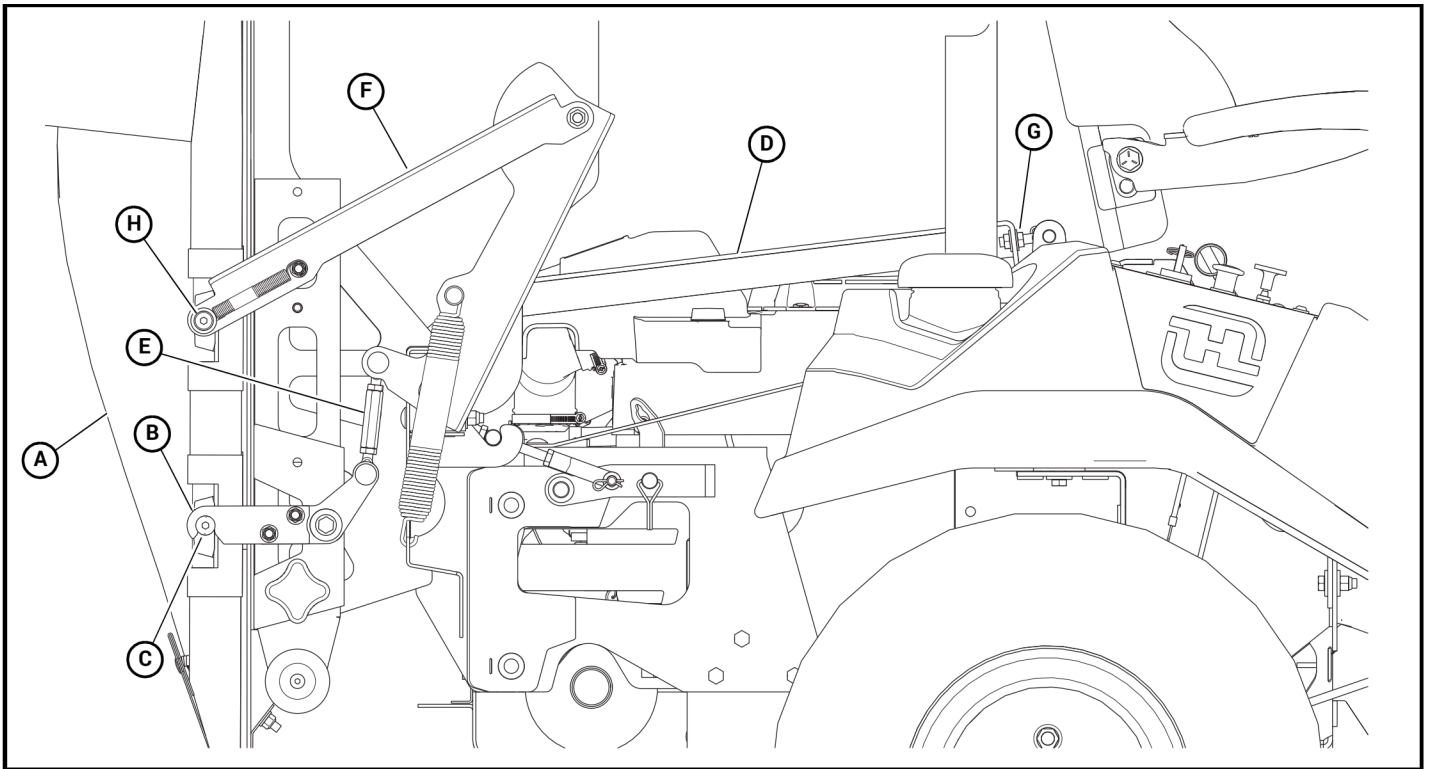


Figure 3-17

22. Adjust drive link length so the resting position of the lid arms are retracted to near the end of the slot length. Figure 3-18
23. Adjust latch hook position on both sides so the lid frame & bag is pulled close to catcher shell. Figure 3-18
24. The lid frame & bag should rest against shell, but not tight. **NOTE:** A tight fit will cause latch problems.
25. Adjust the turnbuckle length on both sides so the latch hooks rest firmly against lid bolts, tighten the jam nuts to lock the turnbuckle length. Figure 3-18
26. Make sure the catcher handle can open the latches and raise the lid frame & bag smoothly. Figure 3-19
27. If the handle will not raise and lower the catcher lid, check the tightness of the lid and latches, and check the position of the lid bolts in the lid arm slots. **NOTE:** For correct operation of the lid latch and catcher handle, the lid arms need space to move along the slot before opening the lid to allow the latches begin to open. Figure 3-19
28. Place the deck in the highest setting.

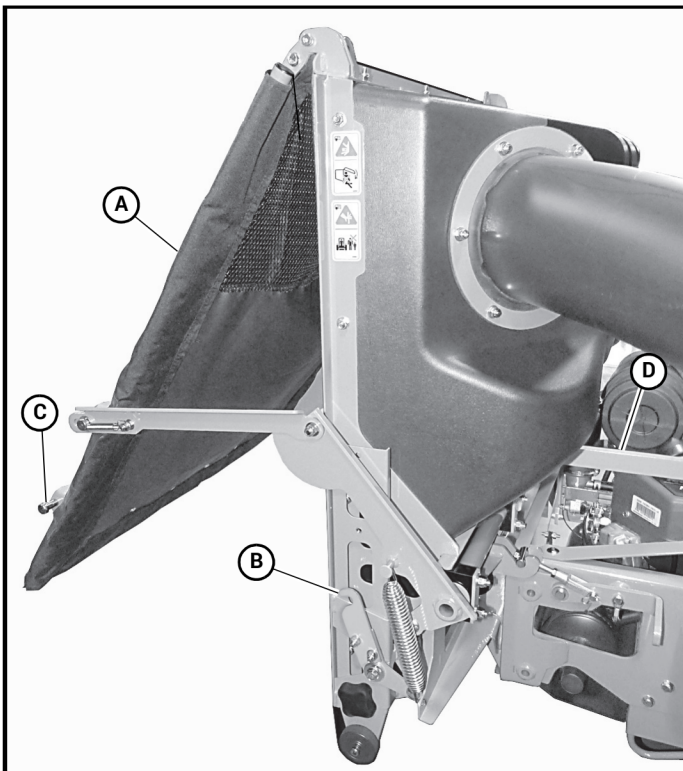


A. Lid frame and bag
 B. Latch hook
 C. Lid bolt

D. Drive link
 E. Turnbuckle
 F. Lid arms

G. Drive link rod end
 H. Lid arm slot

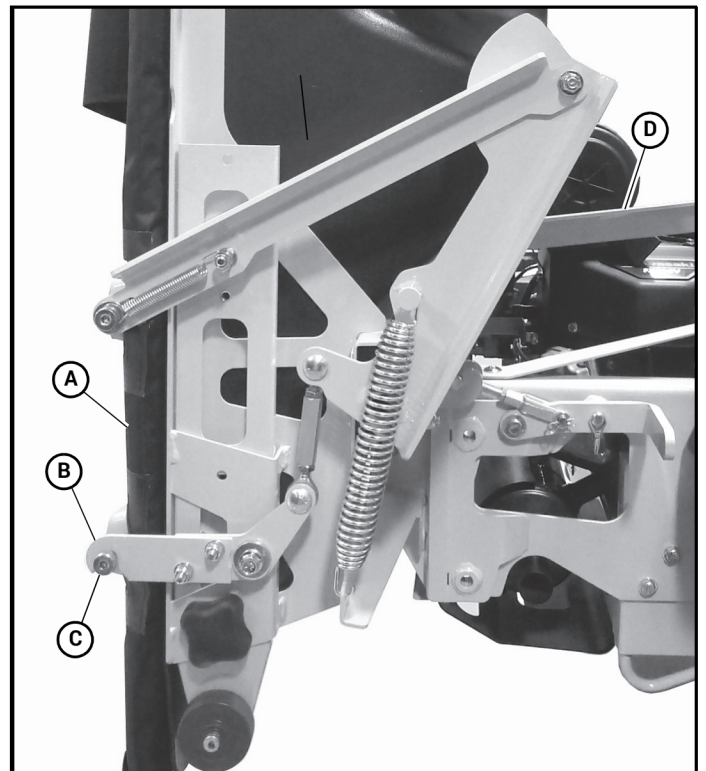
Figure 3-18



A. Lid frame & bag
 B. Latch hook

C. Lid bolt
 D. Drive link

Figure 3-19

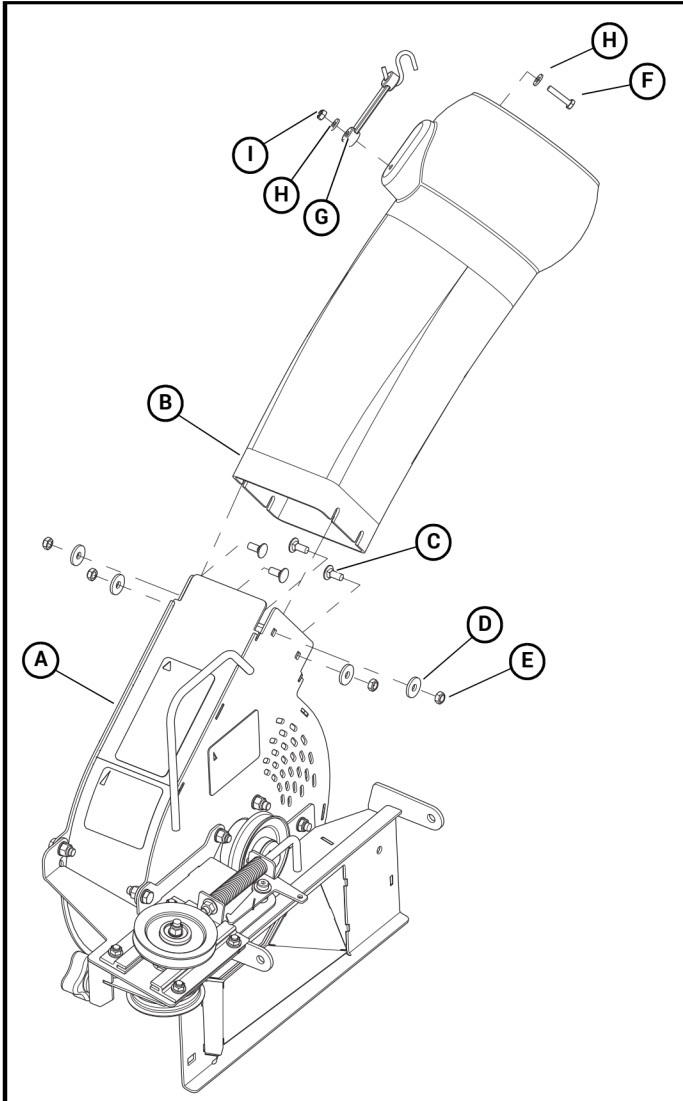


A. Lid frame & bag
 B. Latch hook

C. Lid bolt
 D. Drive link

Figure 3-20

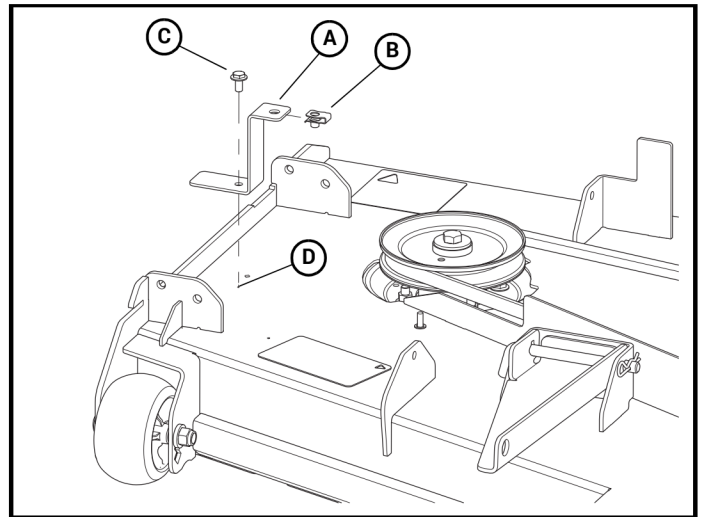
29. Attach the blower outlet chute to the blower. Make sure the bolts are tight enough the chute doesn't shift on the blower. Figure 3-21



- A. Blower
- B. Blower outlet chute
- C. CB .312-18 X .750 FUL ZN
- D. FW 0.344 X 1.00 X .12 HD ZN
- E. NT .312-18 HX NL JAM G2 ZN
- F. CS .250-20 X 1.250 HX G5
- G. Bungee strap
- H. FW 0.281 SAE
- I. NT .250-20 HX Z NL

Figure 3-21

30. Locate the pilot hole on the deck between the chute pivot tabs next to the spring end hole. Drill the hole to 9/32" before attaching the blower cover mounting bracket as shown. Figure 3-22



- A. Blower cover mounting bracket
- B. CN .312-18 X .200 MAX THK
- C. CS .312-18 X .625 HX FL, Self Tapping
- D. Pilot hole

Figure 3-22

31. Attach the blower assembly to the deck. Figure 3-23

IMPORTANT: Make sure the head of the chute pin is pointing towards the blower unit. Figure 3-23

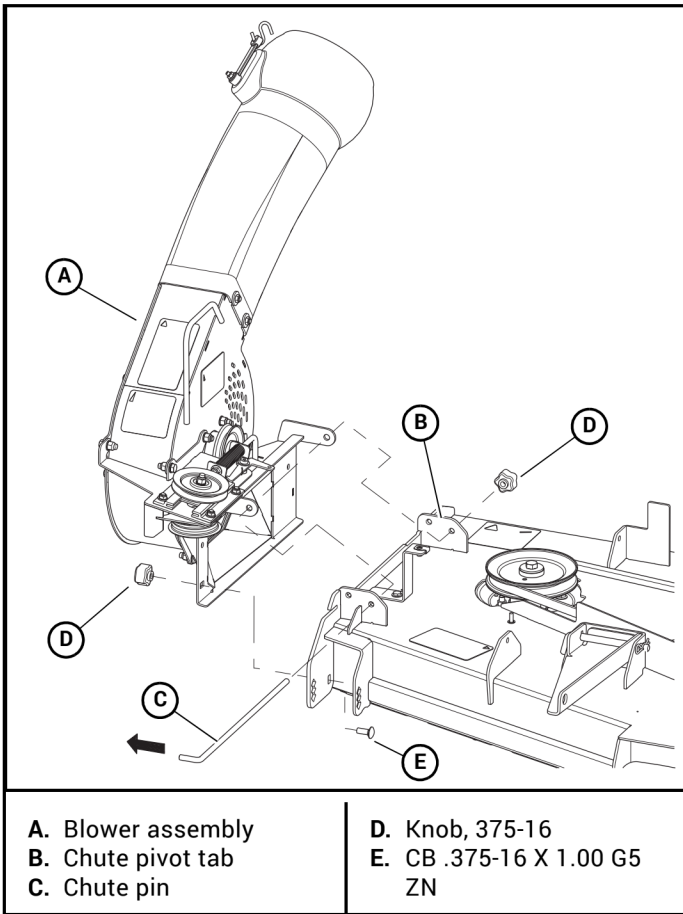


Figure 3-23

32. Install the deck blower pulley. Use the 4.5" pulley for the 60" deck. Use the 3.5" pulley for the 54" and 48" decks. **NOTE:** The provided spindle spacer is used on 48" and 54" decks only, use the existing spindle spacer on the 60" deck. Torque the bolt to 65–75 ft.-lbs. Figure 3-24

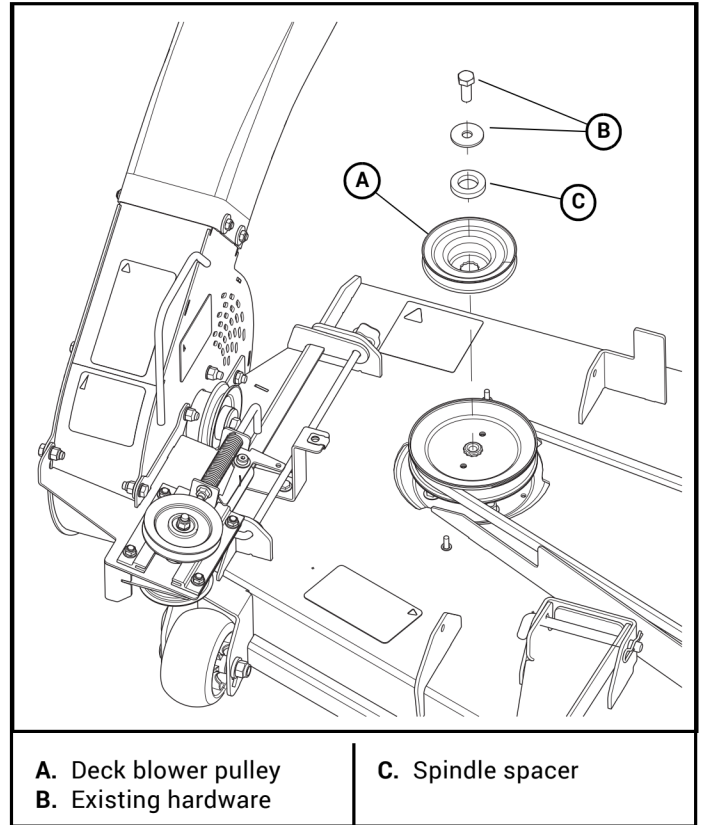


Figure 3-24

33. Pull the tensioner pull rod to engage the tensioner latch on the tensioner sled before installing the blower belt.

IMPORTANT: Make sure the head of the chute pin is pointing towards the blower unit. Figure 3-25

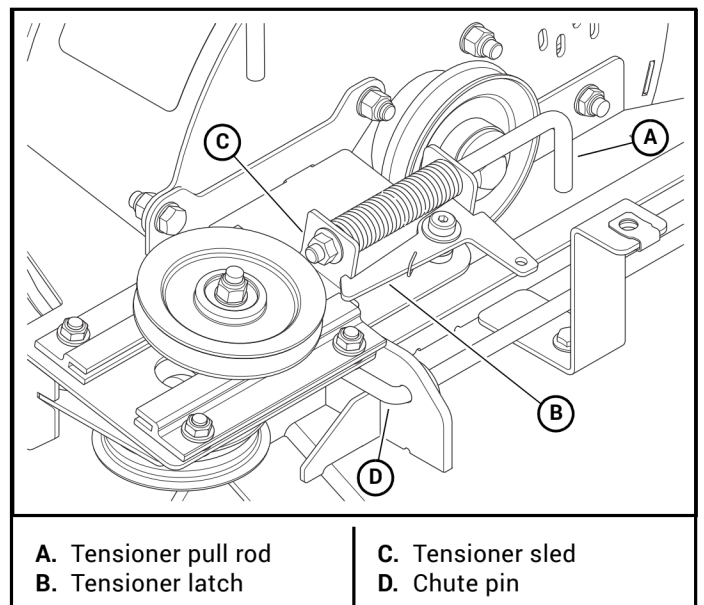


Figure 3-25

34. Install and route the blower belt around the deck blower pulley as shown. Use belt part number 608217 for 48" decks, 608218 for 54" decks, and 607963 for 60" decks. **NOTE:** Make sure the two longest sections of belt are not twisted. Figure 3-26

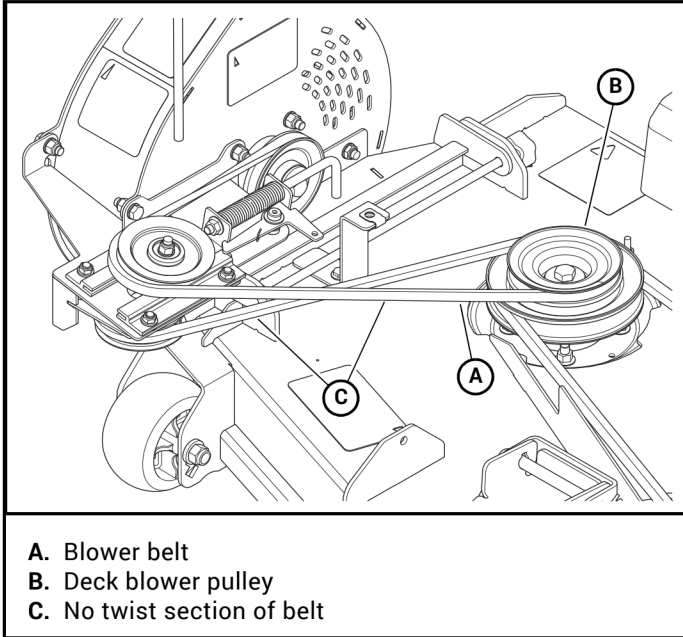


Figure 3-26

35. Release the tensioner latch to tension the belt. Figure 3-27

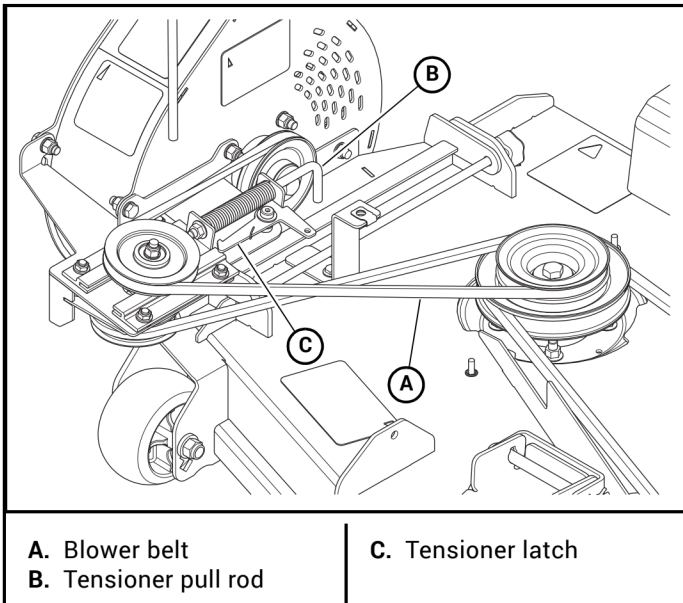


Figure 3-27

36. Carefully cut the pulley cover to match the deck size the catcher is being installed on. Figure 3-28

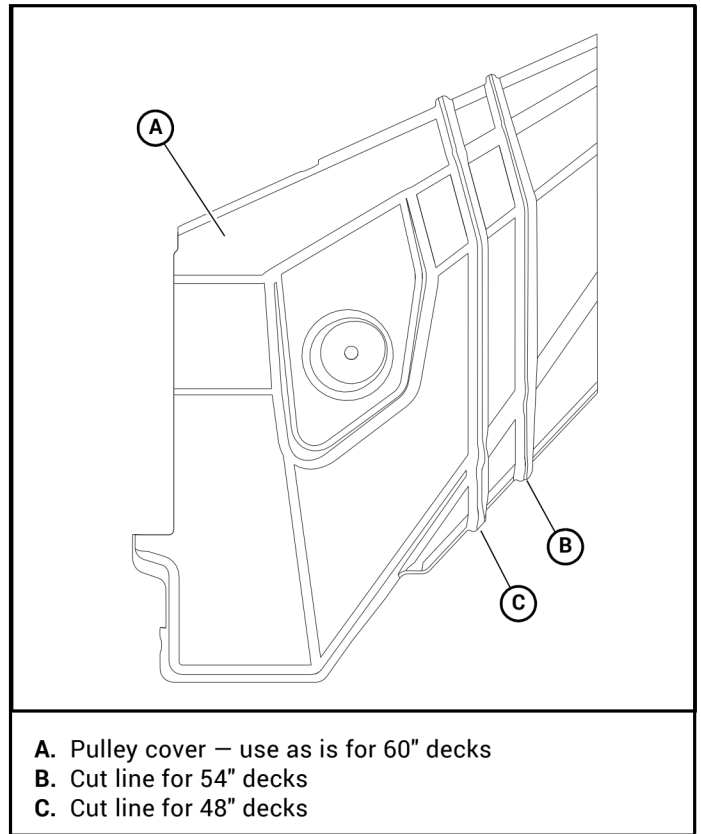


Figure 3-28

37. Attach the pulley cover as shown. Figure 3-29 & Figure 3-30

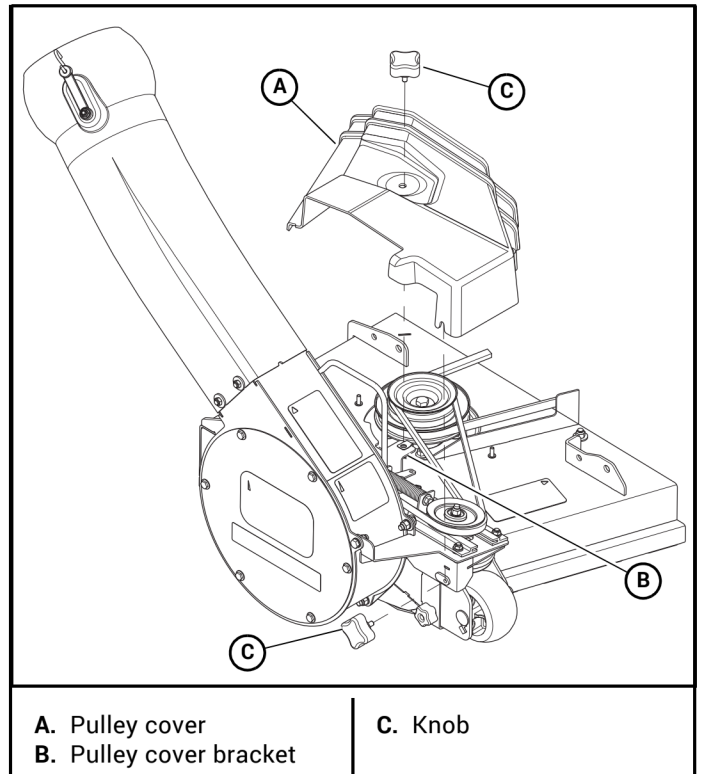


Figure 3-29

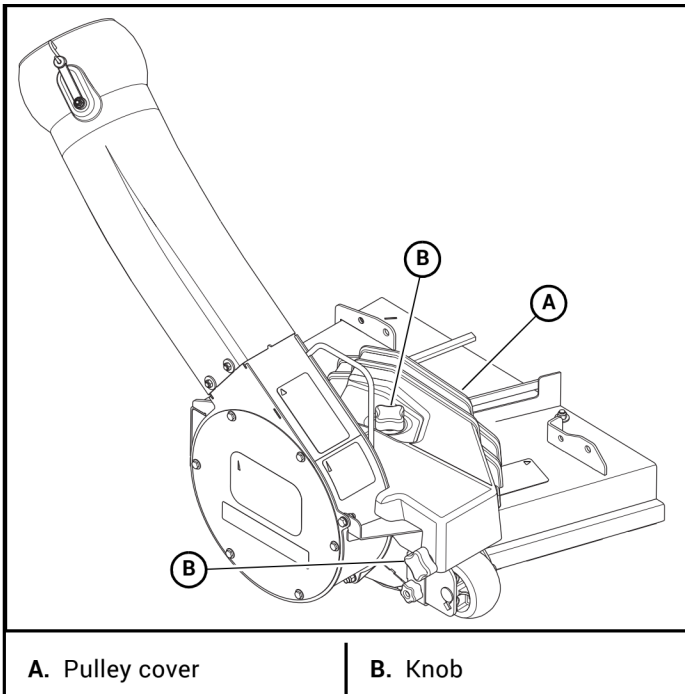


Figure 3-30

38. Trim the back of the rear catcher chute 6" when installed on a 60" deck machine. Trim 8.5" on a 54" or 48" deck machine. Figure 3-32 & Figure 3-31

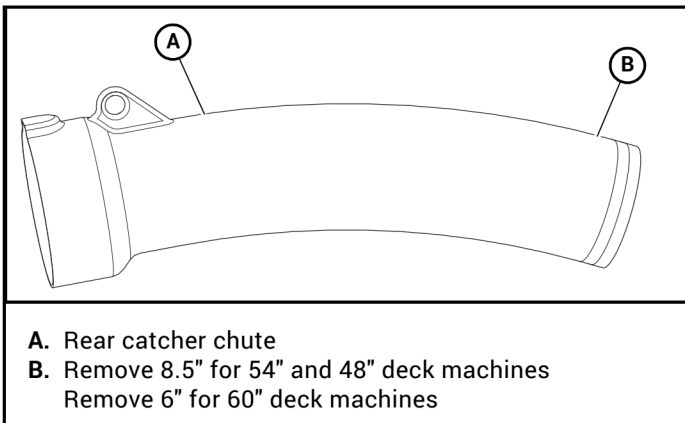


Figure 3-31

39. Install rear catcher chute. The chute should not pull out of the inlet seal on the catcher when the deck is in the lowest position, and should have enough room that it can be removed from the machine in the event of a clog or needing cleaned. Secure with the bungee strap. Figure 3-32

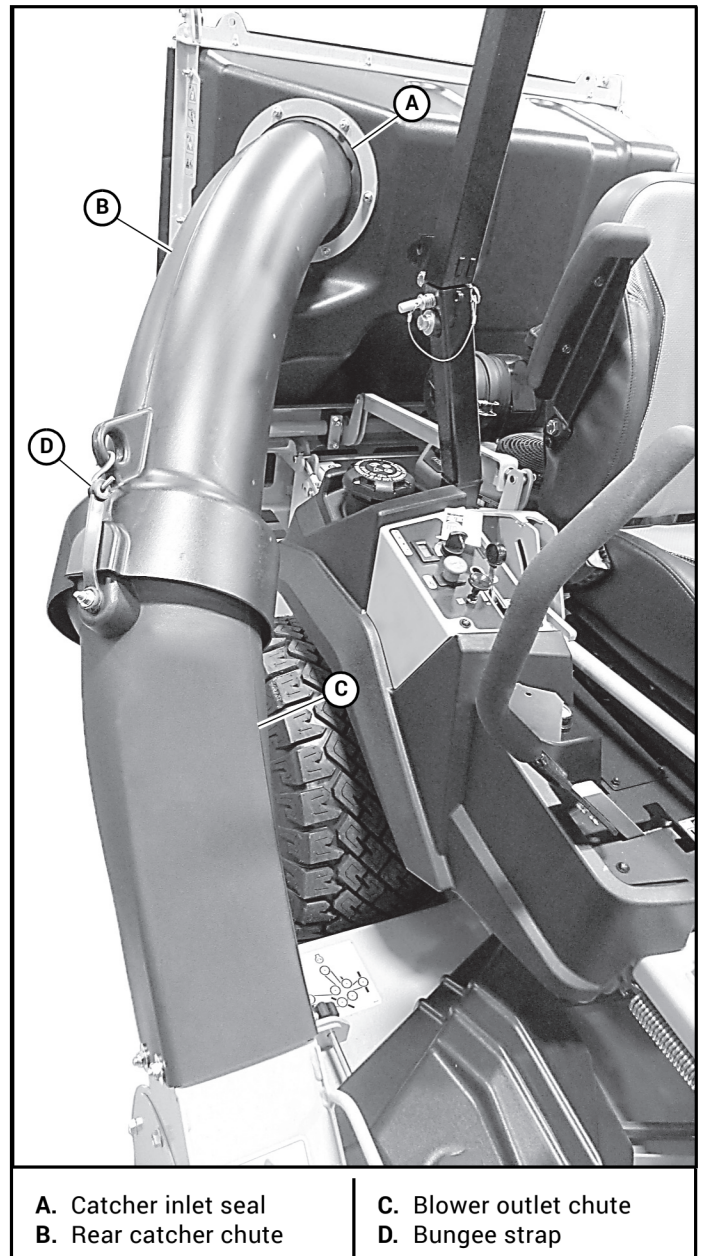


Figure 3-32

40. If mowing in thin grass or picking up leaves, install the appropriate drop plate for the deck as shown. The drop plate is not needed for normal operation. Figure 3-33

WARNING ⚠

Never work under the machine or attachment unless it is safely supported with jack stands. Make certain machine is secure when it is raised and placed on the jack stands. The jack stands should not allow the machine to move when the engine is running and the drive wheels are rotating. Use only certified jack stands. Use only appropriate jack stands, with a minimum weight rating of 2000 pounds to block the unit up. Use in pairs only. Follow the instructions supplied with the vehicle stands.

41. Reconnect the negative battery cable.

WARNING ⚠

Do not operate deck without the catcher chutes or complete catcher system in place.

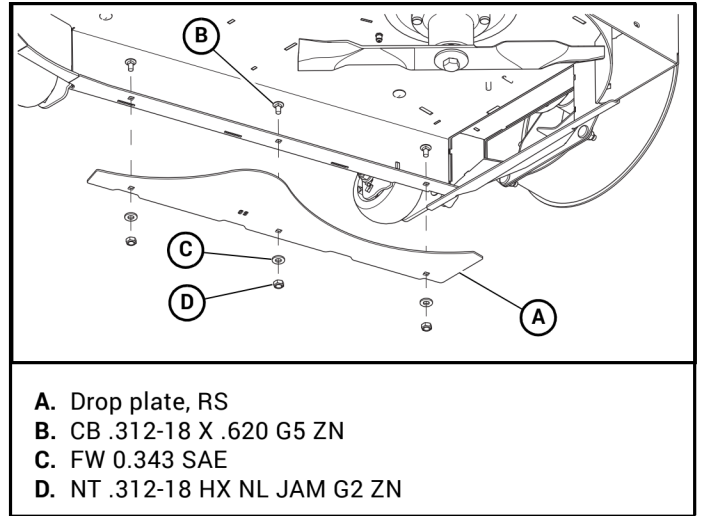


Figure 3-33

OPERATION

Vacuum Pickup and Collection

Follow normal mower start-up and operating procedures as outlined in the mower operator's manual. Whenever the deck clutch switch is engaged there will be debris moving through the catcher system.

The following list contains useful information when using the catcher:

- When catching, use the left side of the mower for trimming to prevent damage to the discharge chute and outlet tube.
- Catching with the cutting height set too low may prevent adequate air movement under the deck. This will cause clogging of the catching system.
- During peak growing times it may be necessary to cut the grass more often. If the grass is too long it may need to be cut twice. First, mow the grass with the cutting height set at a high setting to cut off the upper parts of the grass. Next, lower the cutting height to the preferred finished cut height and mow the area again. This will help reduce clogging.
- To help reduce clogging mow by slightly overlapping the previously cut area.
- Proceed to mow in the normal manner with the engine throttle set to the "FAST" position. Control the mower's ground speed by using the steering control levers. In tall and/or wet grass the high engine speed and slower ground speed will help prevent clogging.
- When catching on slopes mow going downhill when possible. It is necessary to reduce ground speed when operating on a slope.

WARNING

Remember, as the catcher fills more weight is added to the back of the mower. Any rapid movement of the control levers in either direction could result in a reaction of the mower that can cause serious injury.

- Do not stop or start suddenly when mowing on slopes. Avoid uphill starts.
- Disengage the blades if you stop the mower when going uphill and proceed to back off the slope slowly.
- Maintain an even mowing speed when operating on slopes.
- Do not stop on a slope.

WARNING

Prevent objects being thrown and the accumulation of grass clippings and other debris in engine compartment by NEVER operating the mower deck unless:

- Catcher lid is closed.
- Outlet tube is in place and secured on the discharge chute outlet and deck.
- Rear catcher chute is secured in place, with the elastic strap, on the blower outlet tube and is inserted into the catcher shell.

- If debris begins to blow out in front of the outlet tube or a trail of debris is visible along the right edge of the cutting path, either the catcher is full or the outlet tube is clogged.
- It is best that the catcher be unloaded before the discharge chute and tube areas become clogged. If clogging occurs, it will be necessary to clean the discharge chute and tube areas of all material before starting to mow again.
- When the grass is wet it may be necessary to mow it first in the side discharge mode. Then, after the clippings have dried, go back over the area with the catcher installed and pick up the clippings.
- To minimize clogging, reduce your mowing speed as necessary or wait until there is less moisture in the grass.

WARNING

Make sure the engine is turned off, the steering control levers are in the park brake position and the ignition key is removed from the ignition switch. Be sure the blades have stopped before cleaning the discharge chute and transfer tube areas.

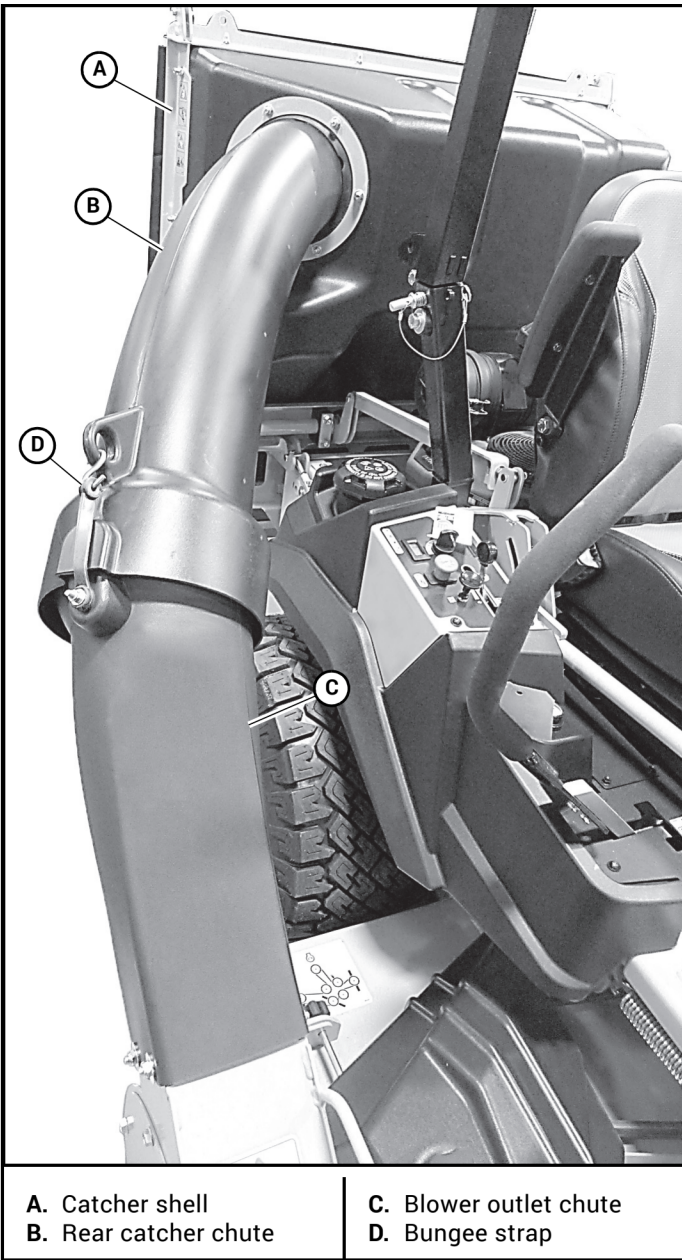
WARNING

Never place hands or feet into the discharge area. The mower blade is relatively close to the housing and will cause severe injury. Use a probe to clean debris from the catcher outlet tube.

WARNING

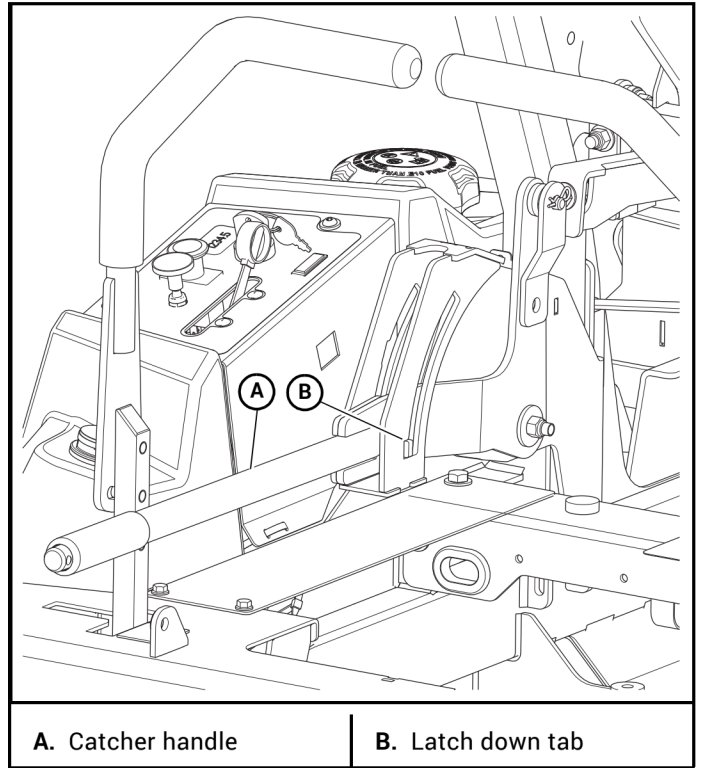
Never engage the mower deck unless the catcher chutes are secured in place, with the bungee strap on the rear catcher chute, and inserted into the catcher shell. Figure 4-1

Stop the mower, return the steering handles to the parked position, close the lid and latch the catcher handle to the closed position. You are then ready to continue operation of the mower. Figure 4-2



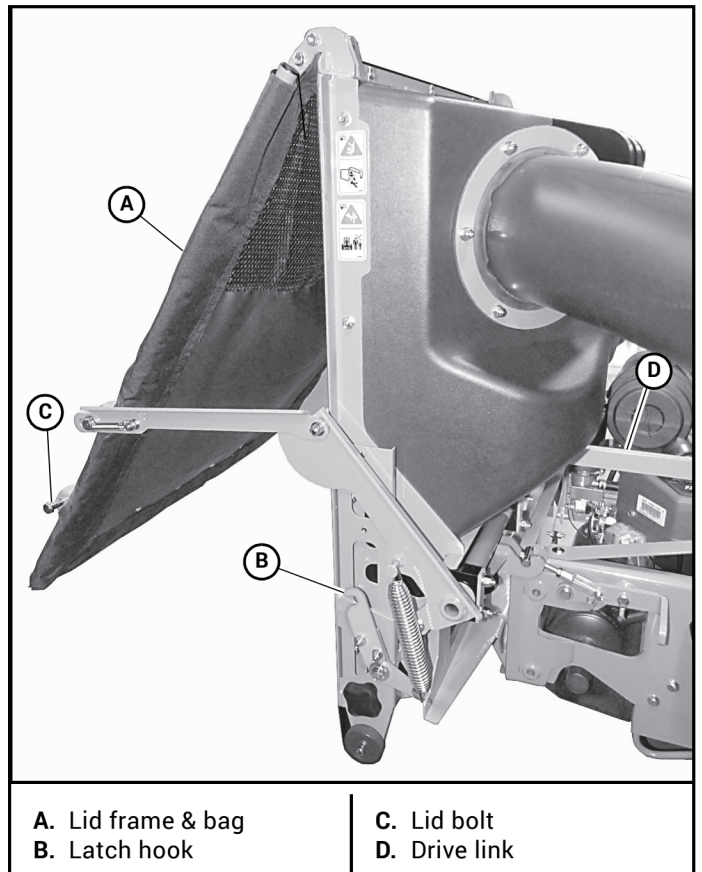
- | | |
|-----------------------|------------------------|
| A. Catcher shell | C. Blower outlet chute |
| B. Rear catcher chute | D. Bungee strap |

Figure 4-1



- | | |
|-------------------|-------------------|
| A. Catcher handle | B. Latch down tab |
|-------------------|-------------------|

Figure 4-2



- | | |
|--------------------|---------------|
| A. Lid frame & bag | C. Lid bolt |
| B. Latch hook | D. Drive link |

Figure 4-3

Unloading the Catcher

WARNING Always be aware that the catcher hangs off the rear of the mower, thereby increasing the length of the mower. Use caution when backing up or turning when the catcher is mounted to the mower.

Drive the mower to the unloading area, park the mower, and open the lid with the catcher handle to dump the grass clippings. You may need to drive forward a short distance to allow the grass clippings and debris to clear the lid frame.

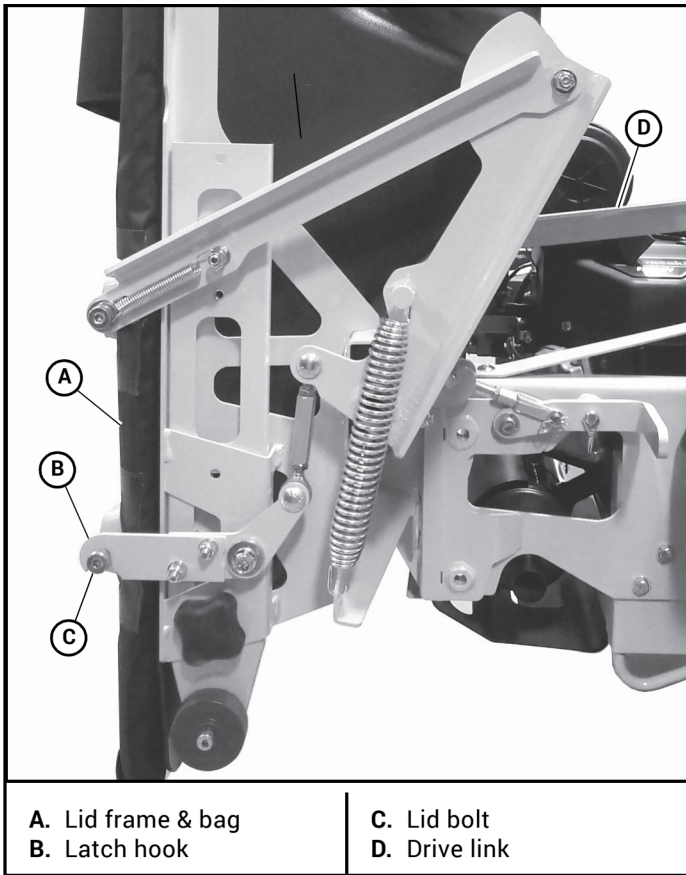


Figure 4-4

Converting To Side Discharge Mode

Convert the mower back to the side discharge mode when catching is not desired.

When converting to side discharge mode it will be necessary to remove the catcher and blower. The catcher mount and drop plate can remain in place on the mower.

1. Remove the drive link.

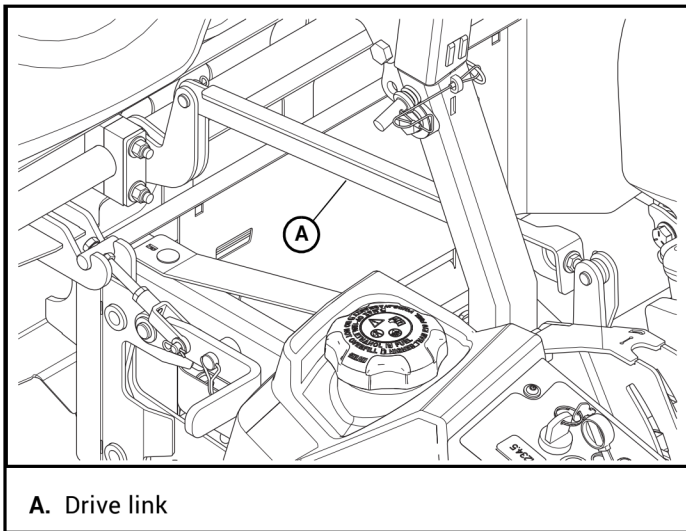


Figure 4-5

2. Lower the catcher wheels into the transport position before disconnecting from the catcher mount frame. Figure 4-6

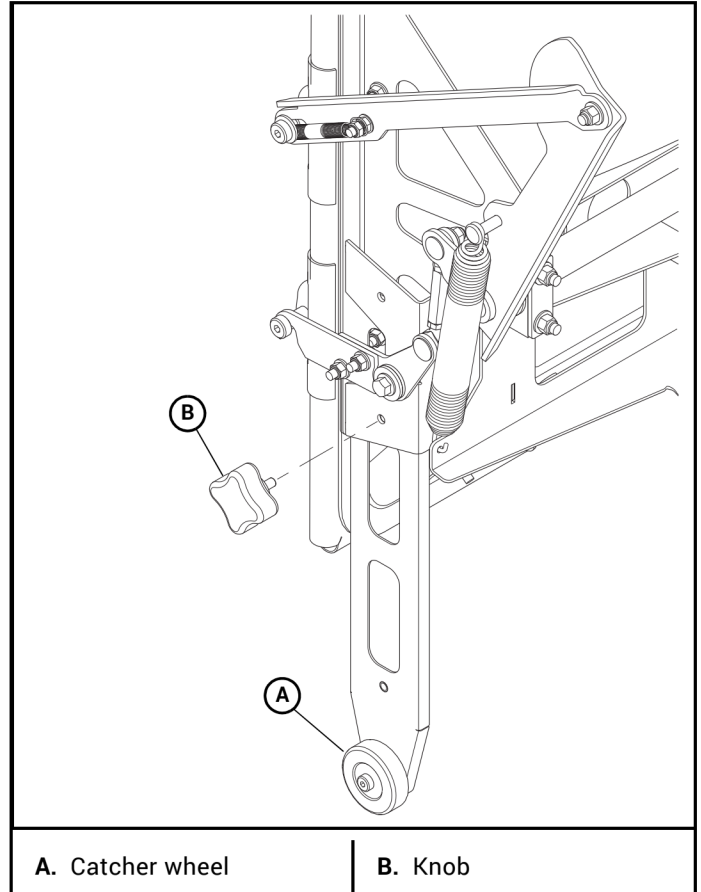


Figure 4-6

3. Remove the pulley cover.
4. Push the blower belt towards the blower to engage the tensioner latch on the tensioner sled. Figure 4-7

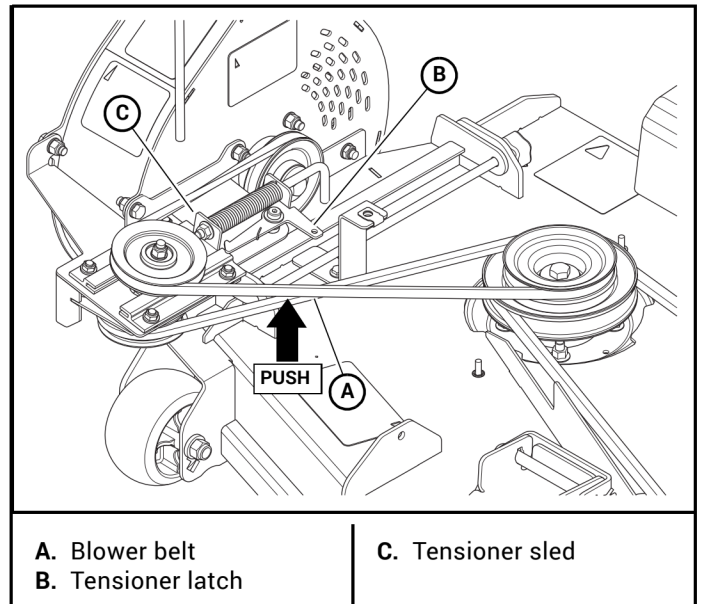
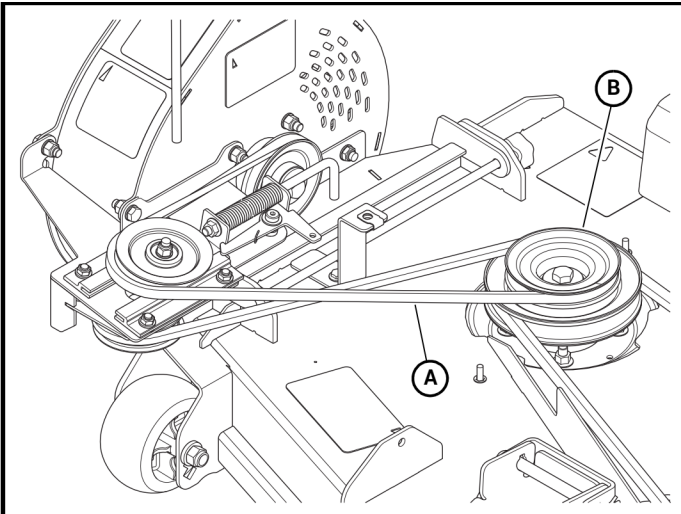


Figure 4-7

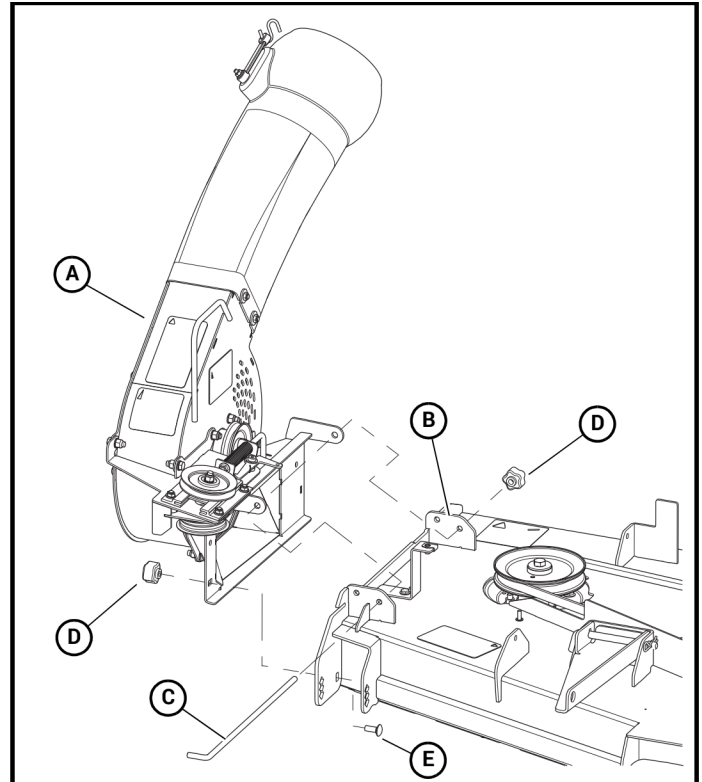
5. Remove the blower belt from around the deck blower pulley as shown. Figure 4-8



A. Blower belt B. Deck blower pulley

Figure 4-8

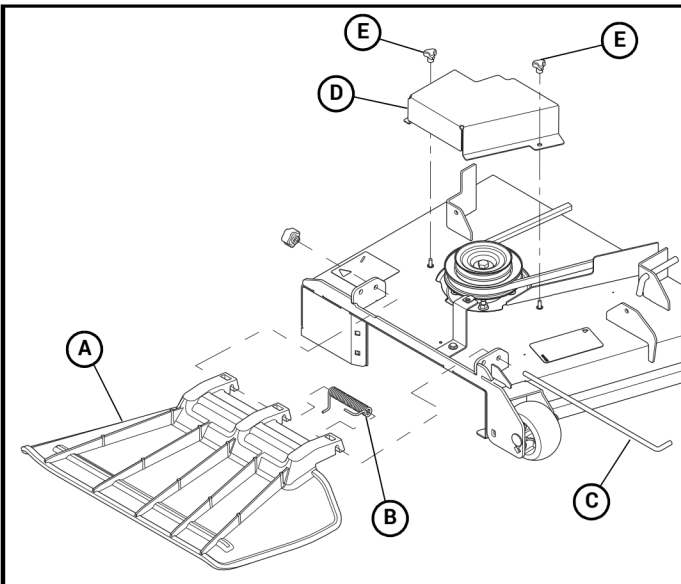
6. Remove the blower assembly from the deck. Figure 4-9
7. Install the double pulley cover using the hardware from the original pulley cover. Figure 4-10



A. Blower assembly D. Knob, 375-16
 B. Chute pivot tab E. CB .375-16 X 1.00 G5
 C. Chute pin ZN

Figure 4-9

8. Install the discharge chute. **IMPORTANT:** Make sure the discharge chute is lowered to the mowing position before mowing. Figure 4-10



A. Discharge chute D. Double pulley cover
 B. Discharge chute spring E. Existing hardware
 C. Chute pin

Figure 4-10

WARNING ⚠

Always operate with complete catcher system, mulching system or side discharge chute in place and in the lowest position.

MAINTENANCE & STORAGE

Maintenance

WARNING ⚠
Never work on the mower deck when the engine is running.

WARNING ⚠
Clean flammable material from machine. Prevent fires by keeping the engine compartment, top of deck, exhaust area, battery, fuel line, fuel tank and operator's station clean of accumulated trash, grass clippings, and other debris. Always clean up spilled fuel and oil.

Inspect the catcher after the initial use of the unit and every month thereafter.

- Check for damaged or worn parts. Replace or repair all damaged parts before operating with the catcher again.
- Check for loose hardware. Tighten any hardware that is loose.
- Inspect and replace the lid bag if any deterioration has occurred.

WARNING ⚠
Severe injury can occur to the operator and/or bystanders or property damage may occur as the result of flying debris or thrown objects due to a damaged bag.

- Check bag for any signs of damage such as tears, holes, wear or any deterioration.
- If a bag is found to be defective in any way, replace it with a new bag that is supplied by Excel Industries, Inc.

The front and rear catcher chutes should be kept clean and free of any accumulation of matted clippings or other obstructions.

WARNING ⚠
Prevent objects being thrown and the accumulation of grass clippings and other debris in engine compartment by NEVER operating the mower deck unless:

- Catcher lid is closed and latched.
- Rear catcher chute is in place and secured on the front catcher chute and deck.

Figure 5-1

To service the rear catcher chute, remove the chute from the unit. The chute can be cleaned by using soapy water and

washing the inside of the chutes with a pressure washer. Rinse with water. Figure 5-1

To clean the bag, hand wash with soap and water; rinse with clean water. Figure 5-2

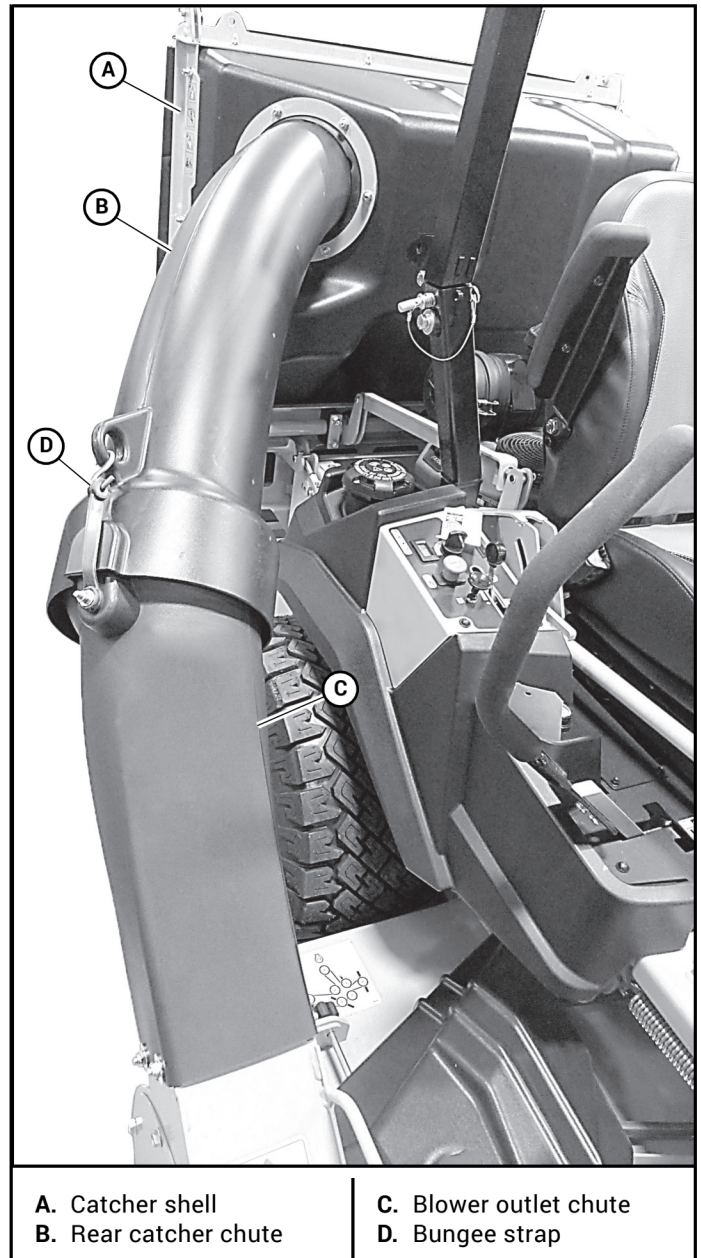


Figure 5-1

Storage

When your mower is to sit idle for a period of time, scrape and remove the matted grass material from inside the catcher and chute and clean the lid.

Check for loose or missing hardware, tighten or replace. Also check for badly worn or damaged parts, consider replacing them at this time. Touch up chipped paint areas; your dealer has aerosol spray paint available.

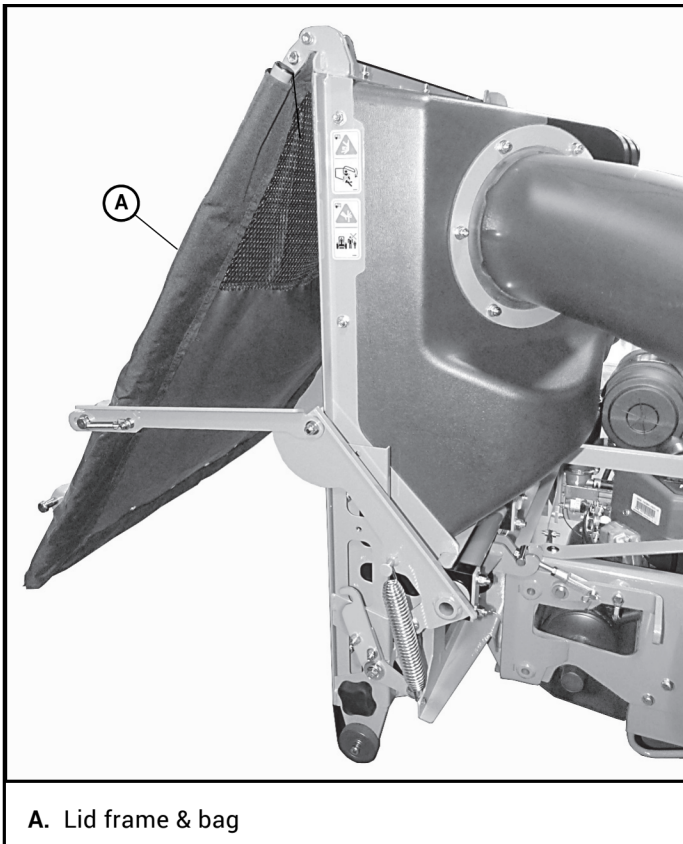


Figure 5-2

EXCEL

INDUSTRIES

Fastrak Catcher Warranty Policy

Excel Industries, Inc. makes the following warranty to the **original purchaser** only:

- a. Excel Industries, Inc. attachments and accessories are warranted for **one (1) year (parts and labor) from date of delivery** on all materials and workmanship.

If the Purchaser discovers within this warranty period a defect in materials or workmanship:

- Purchaser must promptly notify an authorized dealer of the defect. In no event shall such notification be received by an authorized dealer later than **thirteen (13) months** from date of delivery.

- Within a reasonable time after such notification, Excel Industries, Inc. will correct any defect in material or workmanship on the Excel Industries, Inc. attachments and accessories, by repairing or replacing part(s) with either new or used replacement parts.
- Such repair, including parts and labor shall be at the expense of Excel Industries, Inc.

General Information

Who Must Perform The Warranty Service

All warranty service will be performed by Excel Industries, Inc. or authorized dealers. **Service calls and/or transportation expense** of the product to and from the authorized dealer, for warranty work, will be paid by the owner of the product. For warranty service contact an authorized dealer.

What Is Not Covered By This Warranty

Excel Industries, Inc. does not warranty:

- Improper or incorrectly performed maintenance or repair by unauthorized persons that causes damages to the equipment.
- Damage caused by use of the Excel Industries, Inc. turf equipment for purposes other than those for which it was designed.
- Damages caused by disasters such as fire, flood, wind, and lightning.
- Damages caused by neglect, abuse, abnormal use, improper or unreasonable use, accident, negligence or misuse.
- Repairs or replacement from damage resulting from the use of unauthorized accessories or attachments.
- Using replacement parts that are neither approved by Manufacturer nor are equivalent in overall performance. Damage caused by unauthorized replacement parts is not covered by this warranty. Manufacturer expressly excludes liability for defects or damage caused by such 'unauthorized' articles or service.
- Damage caused by foam filled or solid filled tires.
- Repairs or replacement as the result of alterations or modifications.
- Excel Industries, Inc. turf equipment which has the serial number removed or made illegible.

- Depreciation or damage caused by normal wear, lack of reasonable and proper maintenance, failure to follow the product's operator's manual operating, maintenance and adjustment instructions or other operational instructions provided by Excel Industries, Inc.
- Normal maintenance parts and service including, but not limited to, lubricants, belts, blades, blade sharpening, or bearings.

Disclaimer Of Warranty

THE FOREGOING WARRANTIES ARE IN LIEU OF ALL OTHER WARRANTIES, EXPRESSED OR IMPLIED, INCLUDING BUT NOT LIMITED TO THE IMPLIED WARRANTIES OF MERCHANTABILITY AND FITNESS FOR A PARTICULAR PURPOSE. HOWEVER, IF THE EXCEL INDUSTRIES, INC. ATTACHMENT OR ACCESSORY IS PURCHASED AS A CONSUMER PRODUCT, ANY IMPLIED WARRANTY OF MERCHANTABILITY OR FITNESS FOR A PARTICULAR PURPOSE IS LIMITED TO THE DURATION OF THIS LIMITED WARRANTY.

Some states do not allow limitations on how long an implied warranty lasts, so the above limitation may not apply to you. This warranty gives you specific legal rights, and you may also have other rights which vary from state to state.

Limitations Of Warranties

IN NO CASE SHALL EXCEL INDUSTRIES, INC., OR ITS AFFILIATES, BE LIABLE FOR ANY SPECIAL, INCIDENTAL, OR CONSEQUENTIAL DAMAGES BASED UPON BREACH OF WARRANTY, BREACH OF CONTRACT, NEGLIGENCE, STRICT LIABILITY IN TORT, OR ANY OTHER LEGAL THEORY.

Such damages include, but are not limited to:

- Loss of profits
- Loss of savings or revenue
- Loss of use of Excel Industries, Inc. turf equipment or any associated equipment

- Cost of capital
- Cost of any substitute equipment, facilities, services or downtime
- The claims of third parties including customers, and injury to property

Some states do not allow the exclusion or limitation of incidental or consequential damages, so the above limitation or exclusion may not apply to you.

No Other Warranties

Unless modified in writing, signed by both parties, and approved by the President of Excel Industries, Inc., this agreement is understood to be the complete and exclusive agreement between the parties, superseding all prior agreements, oral or written, and all other communications between the parties relating to the subject matter of this agreement. No employee of Excel Industries, Inc., or any other party is authorized to make any warranty in addition to those made in this agreement.

Allocation Of Risks

This agreement allocates the risks of product failure between Excel Industries, Inc. on the one hand and the purchaser on the

other. This allocation is recognized by both parties and is reflected in the price of the goods.

Owner's Responsibility

You must maintain your Excel Industries, Inc. product following the maintenance procedures described in your operator's manual. Such routine maintenance, whether performed by a dealer or by you, is at your expense.

This attachment or accessory like any other equipment is potentially dangerous unless properly operated. Any operator **must** be cautious and keep safety in mind at all times. Any operator, prior to using the Excel Industries, Inc. turf equipment, should thoroughly familiarize himself with the operator's manual regarding operation and safety of the machine, as well as all safety warnings on the machine itself.

Warranty Registration

- **Hustler® Dealers must** register the attachment on-line at <https://dealer.hustlerturf.com> within **ten (10) days** following date of purchase.
- The date of purchase constitutes delivery.
 - Failure to register the attachment may void the warranty.

Australia Special Information

The following information is for Australian consumers only.

The benefits to the consumer given by this warranty are in addition to other rights and remedies of the consumer under a law in relation to the goods or services to which this warranty relates.

Our goods come with guarantees that cannot be excluded under the Australian consumer law. You are entitled to a replacement or refund for a major failure and for compensation for any reasonable foreseeable loss or damage. You are also entitled to have the goods repaired or replaced if the goods fail to be of acceptable quality and the failure does not amount to a major failure.

**Powerup Lawncare Products
11 Sodium St.
Narangba, Qld 4504
Telephone 1300 363 027**

INDEX

	PAGE		PAGE
Assembly	3-2	Safety and Instruction Decals	2-2
Converting To Side Discharge Mode	4-3	Storage	5-2
Maintenance	5-1	To the New Owner	1-1
Parts and Service	1-1	Unloading the Catcher Bags	4-2
Parts List	3-1	Vacuum Pickup and Collection	4-1
Required Tools	3-1	Warranty Policy	6-1
Safe Operation and Service Precautions	2-1	Warranty Registration	1-1

